



SSF1916-A / SSH1916-A

19.1" Resizing LCD Display, Brightness is 1200 nits, LED backlight, 1920x388 ultra wide aspect ratio 16:3.2

SSF/SSH 1916-A is an innovative ultra-wide, LED backlight LCD module. It provides LCD panel with specific ratios for digital signage, public transportation, exhibition hall, department store, and vending machine applications.

Key Features

- Resizing LCD
- Ultra Wide Screen (16 : 3.2)
- LED Backlight
- High Brightness 1200nits
- Low Power Consumption
- Wide Viewing Angle
- High Uniformity
- Wide Dimming



Specifications

Preliminary

Model No.	SSF1916-A	SSH1916-A
Description	19.1" Resizing LCD Display, 1200nits, LED backlight, 1920x388	
Display Area	476.6x 96.3 mm	
Brightness	1200nits	
Resolution	1920 x 388	
Aspect Ratio	16 : 3.2	
Contrast Ratio	3000:1	
Pixel Pitch (mm)	0.248 x 0.248	
Viewing Angle	178°(H), 178°(V)	
Display Colors	16.7M	
Response Time (Typical)	25 ms	
Power Consumption	17.9W / 22.9W	
Dimensions (mm)	497.6 x 121.3 x 16.55 mm	
Weight (Net)	0.8Kg	
LED Driving Board	LID19A	
Control Board (Optional)	<input type="checkbox"/> AD2662GD <input type="checkbox"/> AD2662GDHMVAR	
	<input type="checkbox"/> AD2662GD VGA+DVI (Optional S-Video/ Component / Audio)	
	<input type="checkbox"/> AD2662GDHMVAR VGA + DVI + HDMI (Optional AV/ S-Video / Component / Audio)	
F / R Control Button	<input type="checkbox"/> 5 Key <input type="checkbox"/> 4 Key	
<input type="checkbox"/> 5 Key	Power Switch, Menu, Select (+,-), Auto	
<input type="checkbox"/> 4 Key	Power Switch, Menu, Select (+,-),	
OSD Menu	Brightness, Contrast, H/V Position, Color, Phase, Clock...	
Optional	<input type="checkbox"/> AOT <input type="checkbox"/> Touch Screen	

Specifications are subject to change without notice.

All brands or product names are trademarks or registered trademarks of their respective companies.

SSF= Panel+ LED Driving Board

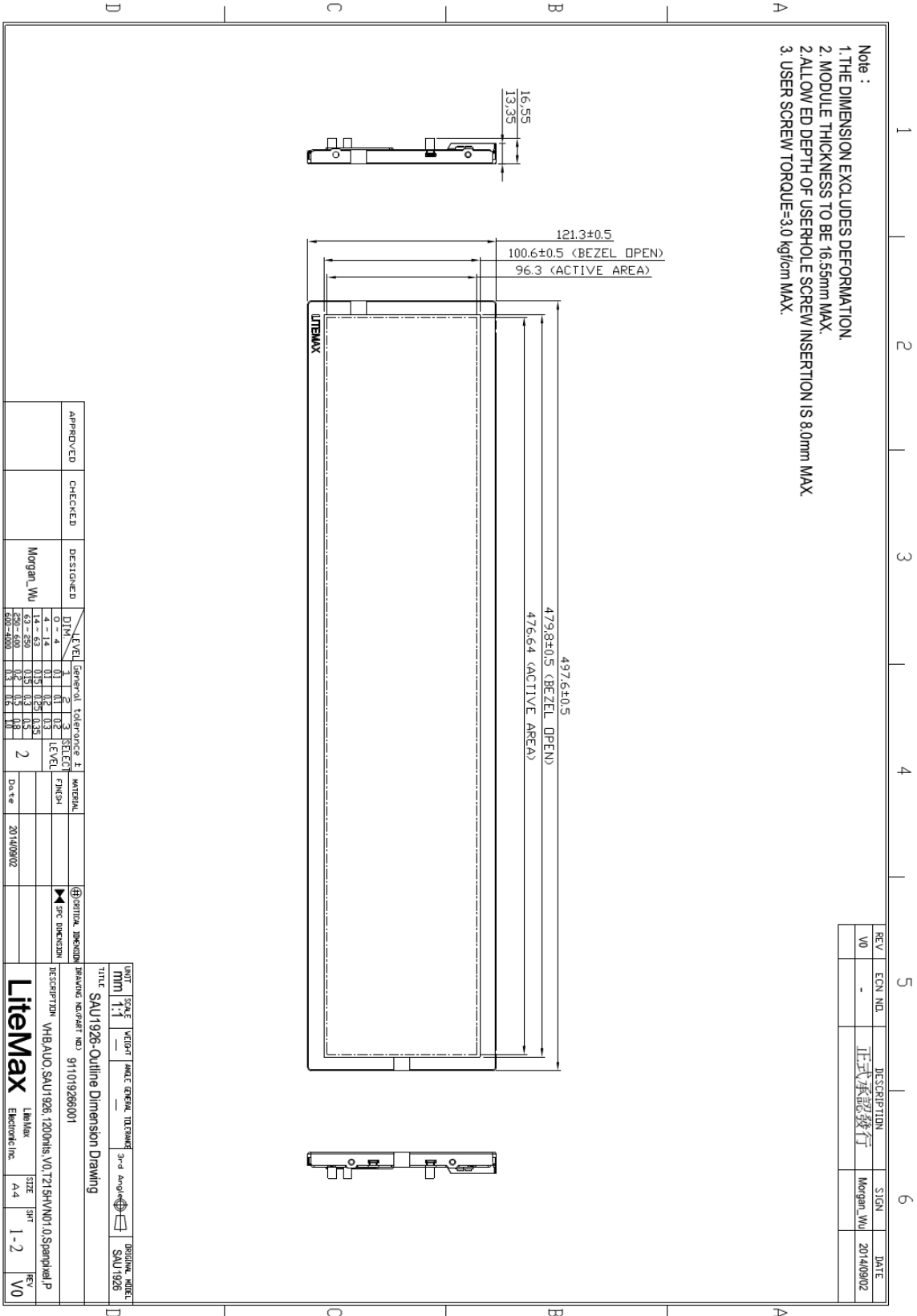
SSH= Panel+ LED Driving Board + Control Board



Mechanical Drawing

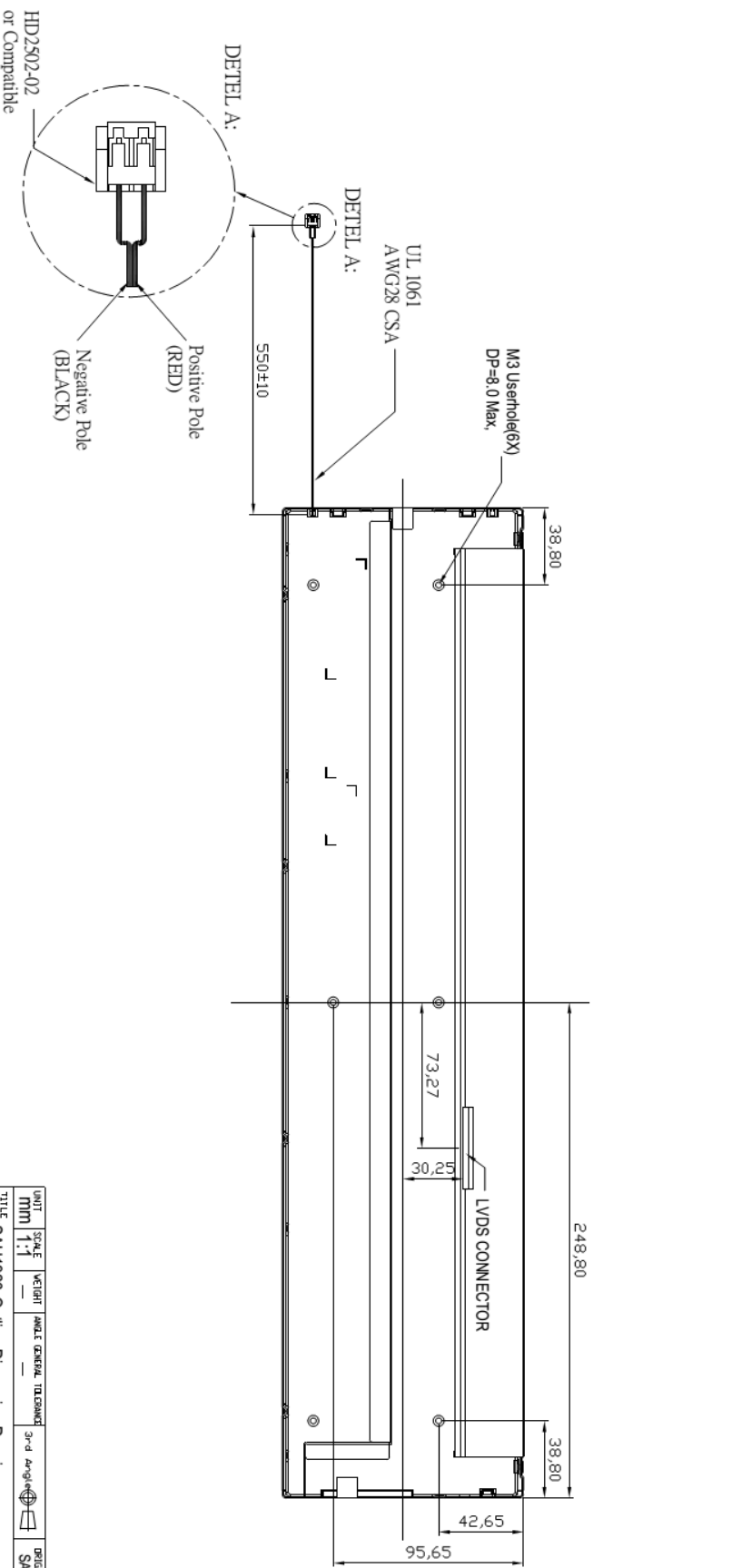
Panel Outline Dimensions

Unit: mm





- Note :
1. THE DIMENSION EXCLUDES DEFORMATION.
 2. MODULE THICKNESS TO BE 14.25mm MAX.
 3. USER SCREW TORQUE=3.0 kgf/cm MAX.



REV	ECN NO.	DESCRIPTION	STCN	DATE
V0	-	正式承認發行	Morgan_Wu	2014/09/02

APPROVED	CHECKED	DESIGNED	LEVEL	General tolerance ±	SELECT LEVEL	MATERIAL	FINISH	DATE
		Morgan_Wu	0 ~ 4	1 0.1 2 0.2 3 0.3	2			2014/09/02
			4 ~ 14	0.1 0.15 0.2 0.3				
			14 ~ 53	0.15 0.25 0.3				
			53 ~ 250	0.2 0.3 0.5				
			250 ~ 500	0.3 0.5 1.0				
			500 ~ 1000	0.5 1.0 1.5				

UNIT	SCALE	VECTOR	PROJ. CENTER	TOLERANCE	3rd angle	ORIGINAL MODEL
MM	1:1					SAU1928
TITLE SAU1928-Outline Dimension Drawing						
DRAWING NUMBER NO. 911019286001						
DESCRIPTION VHB-AUO SAU1928, 1200hrs V0, T215HV/N01.0, Spanpk&P						
LiteMax			LibMax	SIZE	SHEET	REV
Electronic Inc.			A4	2-2		V0



Ordering Information

Part Number	Description
SSF1916-ANN-A01	19",1200nits,1920*388,LID19A,V01 (5 in 1)
SSH1916-ANN-G01	19",1200nits,1920*388,LID19A, AD2662GM,DC 12V input,V01 (5 in 1)

Optional Accessories

Part Number	Description
840612051210	ADAPTER,AC/DC,12V/5.4A,65W,Atech OEM A065112-TDx,4P SLIDING CAP,P
810618301010	CABLE.POWER.AC.1830mm USA type
810618301090	CABLE,POWER,AC,1830mm Europe type
810618301050	CABLE.POWER.AC.1830mm UK type
810618301170	CABLE.POWER,AC,1830mm Australia type
810618301030	CABLE.POWER.AC.1830mm Japan type