



SLD4235-E V2

42" TFT LCD Display, LED Backlight, 1000nits,FHD(1920x1080)

SLD4235-E V2 is an innovative ultra-wide, sunlight readable, LED backlight LCD display. it provides LCD panel with specific ratios for digital signage, public transportation, exhibition hall, department store, vending machine and industrial applications. Incorporating with A.D. control board and backlight design, it is high brightness and sunlight readable panel, can display high-quality video with energy-efficient.

Key Features

- Resizing LCD
- Ultra Wide Screen (16 : 9)
- Sunlight Readable
- LED Backlight
- High Brightness 1000 nits
- Low Power Consumption
- Wide Dimming
- Life Expectancy (70,000hrs)
- Slim Bezel



Specifications

V2

Model No.	SLD4235-E V2
Description	42" LCD, 1000 nits LED backlight, 1920x1080
Display Area	927.94 x 521.96mm
Brightness	1,000 cd/m ²
Resolution	1920 x 1080
Aspect Ratio	16 : 9
Contrast Ratio	1200:1
Pixel Pitch (mm)	0.4833 x 0.4833
Pixel Per Inch(PPI)	53
Viewing Angle	178°(H), 178°(V)
Color Saturation(NTSC)	75%
Display Colors	16.7M
Response Time (Typical)	8 ms
Sync	LVDS
Operating Temperature	0°C ~+50°C
Storage Temperature	-20°C ~+60°C
Power Consumption	119W
Dimensions (mm)	968x 560 x 65mm
Weight (Net)	17.5Kg
LED Driving Board	LID42
Control Board (Optional)	AD2662GD / AD266GDHMVAR
<input type="checkbox"/> AD2662GDVAR	VGA + DVI(Optional AV/ S-Video / Component / Audio)
<input type="checkbox"/> AD2662GDHMAR	VGA (Optional DVI/HDMI AV/ S-Video / Component / Audio)
F / R Control Button	4 Key
<input type="checkbox"/> 4 Key	Power Switch, Menu, Select (+,-),
OSD Menu	Brightness, Contrast, H/V Position, Color, Phase, Clock...
Optional	<input type="checkbox"/> Touch Screen

SLD= Panel+ LED Driving Board + Control Board

Specifications are subject to change without notice.

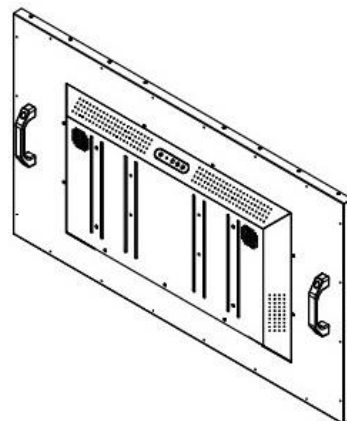
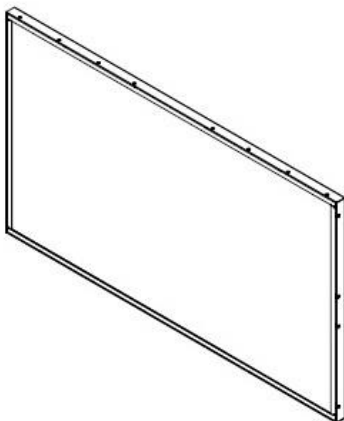
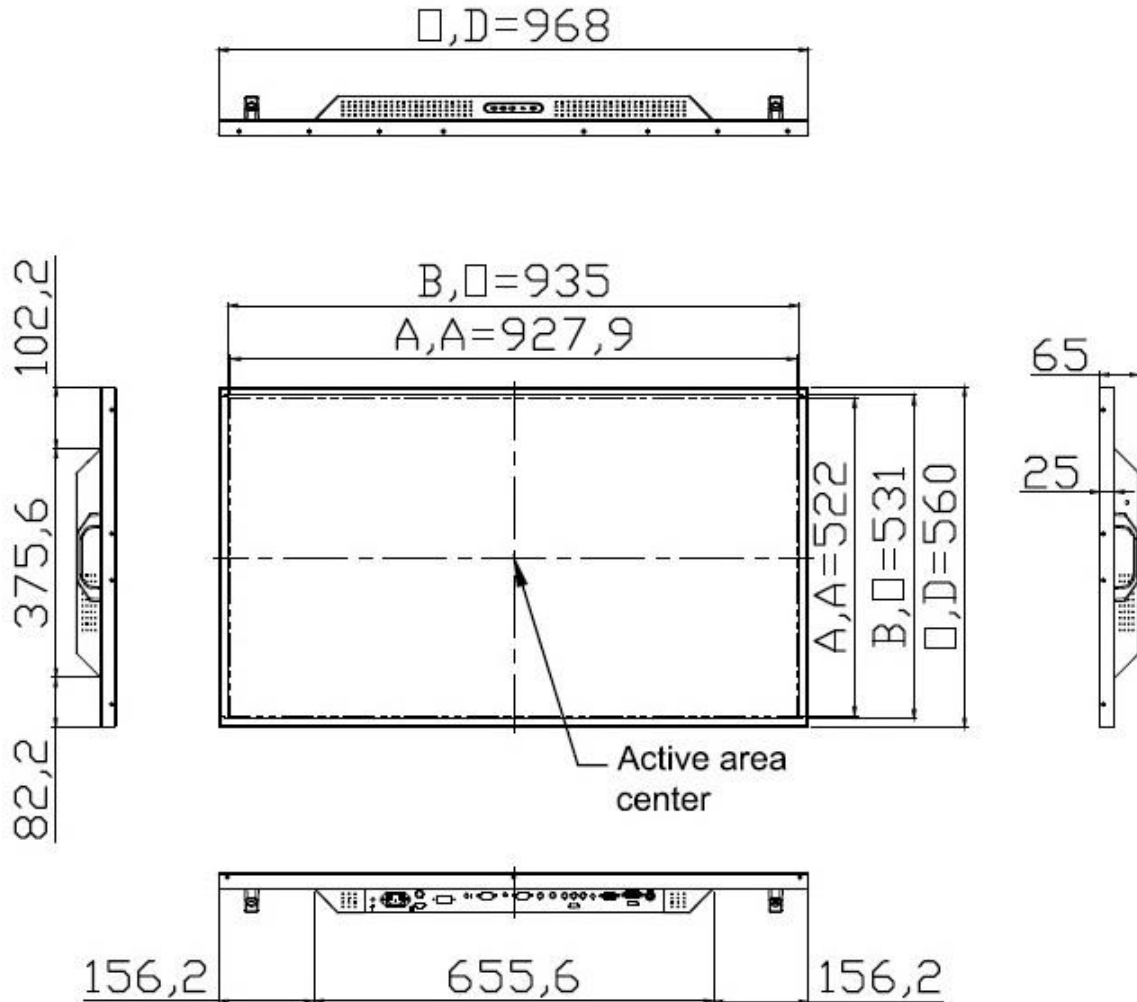
All brands or product names are trademarks or registered trademarks of their respective company



Mechanical Drawing

Outline Dimensions

Unit: mm

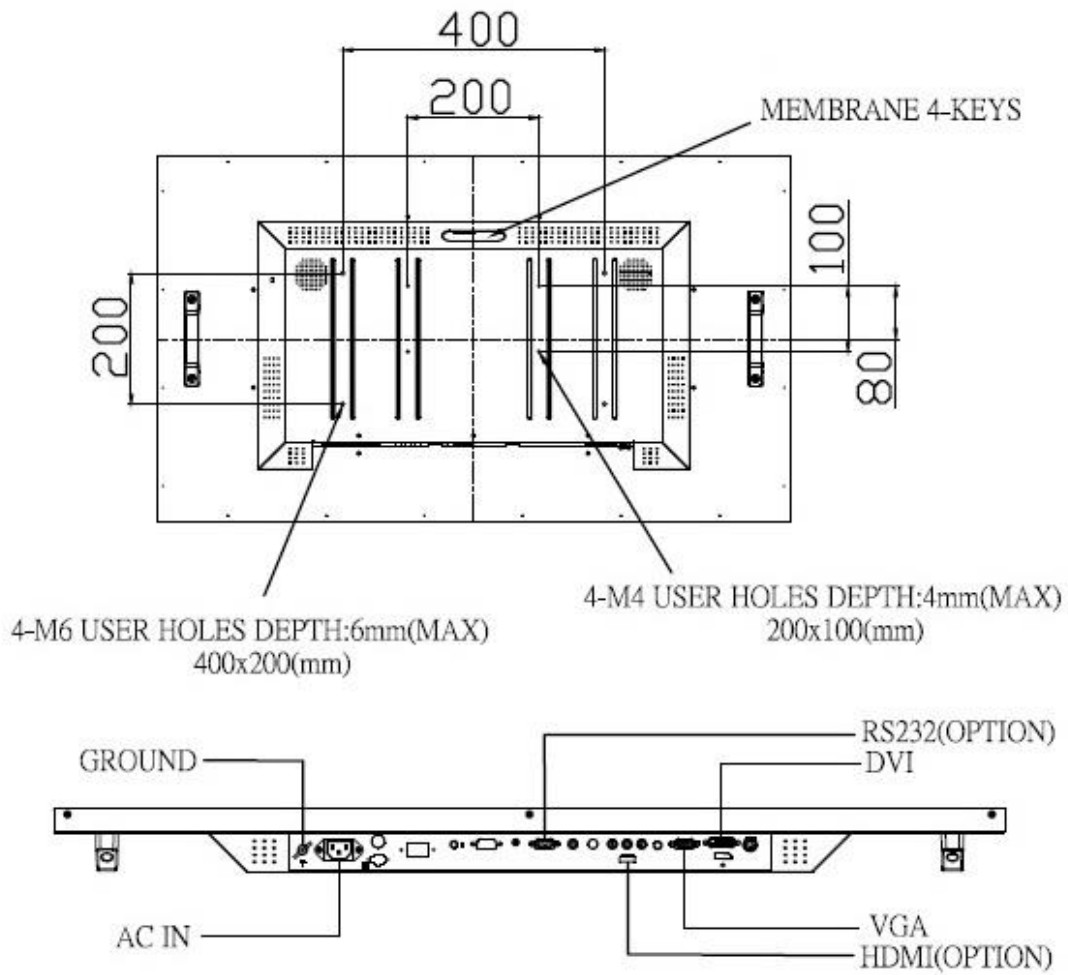


Note :

O.D : Outline Dimension

B.O : Bezel Opening

A.A : LCD Active Area





Ordering Information

Model Name	Description
SLD4235-ENB-G11	42", 1000nits, FHD, LID42A .AD2662GD, O/B, AC100~240V. V02
SLD4235-ENB-G12	42", 1000nits, FHD, LID42A .AD2662GDHMR, O/B, AC100~240V. V02

Optional Accessories

Part Number	Description
810618301010 (Optional)	CABLE.POWER.AC.1830mm.(US Type).3PIN PLUG TO SOCKET.SVT(SPT-2)18AWG 3C BLACK.P.
810618301090 (Optional)	CABLE,POWER,AC,1830mm.(EU Type) 3PIN PLUG TO.SOCKET,H05VV-F 3G.0.75MMSQ BLACK,P
810618301050 (Optional)	CABLE,POWER,AC,1830mm.UK(FUSE) 3PIN PLUG TO.SOCKET,H05VV-F 3C(3G) 0.75MMSQ BLACK,P
810618301170 (Optional)	CABLE.POWER,AC,1830mm. (AU Type) 3PIN PLUG TO 2P SOCKET.LTSA 0.75MMSQ BLACK,P
810618301031 (Optional)	CABLE,POWER,AC,1830mm,JP .2PIN PLUG Y TYPETERMINAL.(Ground wire: Green/Yellow). SOCKET.VCTF 3C 0.75MMSQ BLACK,P