

---

# Datasheet

## iBASE

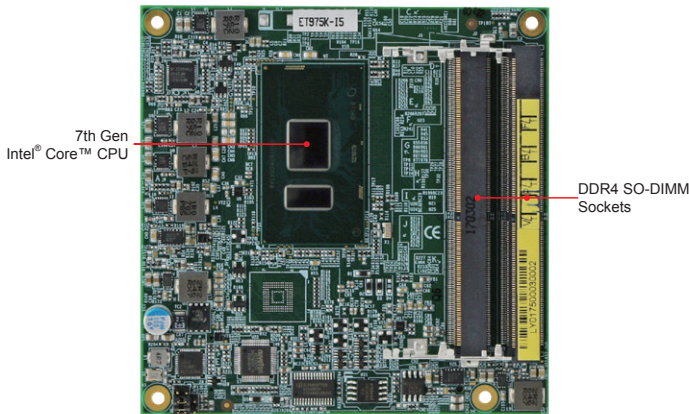
ET975

**COM Express™ Compact Type 6 Computer-on-Module**

**with Intel® Core i7/i5/i3 7th Gen. Processor**

The information contained in this document has been carefully researched and is, to the best of our knowledge, accurate. However, we assume no liability for any product failures or damages, immediate or consequential, resulting from the use of the information provided herein. Our products are not intended for use in systems in which failures of product could result in personal injury. All trademarks mentioned herein are property of their respective owners. All specifications are subject to change without notice.

---



### Features

- Onboard 7th Gen Intel® Core™ i7/i5/i3 processors
- 2x DDR4 SO-DIMM, Max. 32GB
- Supports 2x DDI port or DDI + VGA
- 1x Intel® PCI-E GbE LAN
- Watchdog timer
- 8x USB 2.0, 4x USB 3.0, 2x COM, 2x SATAIII
- 4x PCI-E(x1), 1x PCI-E(x4)
- Supports TPM (2.0), eMMC5.0 (Optional)

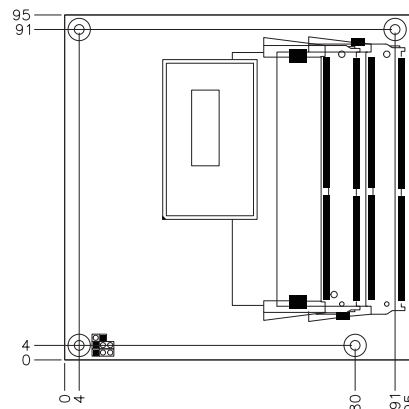
### Specifications

CPU Type	Onboard 7th Gen Intel® Core™ U-series processors
System Memory	2x DDR4 SO-DIMM, Max. 32GB
System Chipset	N/A
BIOS	AMI
Watchdog Timer	256 levels
SSD	eMMC 5.0 up to 32GB (Optional)
H/W Monitor	Yes
Expansion Slot	4x PCI-E(x1), 1x PCI-E(x4)
VGA Controller	7th Gen Intel® Core™ U-series processor integrated graphics, supports DVI, HDMI, DisplayPort, LVDS
VGA Memory	Shared memory
Display Interface	24-bit dual channels LVDS on carrier board
LAN Controller	Intel® I219LM LAN PHY
LAN Connector	1x RJ-45 on carrier board (IP413)
I/O Chipset	Nuvoton NCT5523D on board (supports Tx/Rx only)
USB	4x USB3.0 via baseboard 8x USB2.0 via baseboard
Serial ATA	2x SATA III via carrier board
Audio	7th Gen Intel® Core™ U-series processor built-in HD Audio
Others	TPM (2.0)
Dimensions	95mm x 95mm (3.74" x 3.74")
Max. Power Requirement	Intel® i7-7600U, 2.8GHz w/8GB DDR4-2133 +12V: 3.47A; +5V: 1.4A +3.3V: 0.33, +5VBS: 0.10A
Operating Temperature	-20°C~60°C (-4°F~140°F)
Storage Temperature	-20°C~80°C (-4°F~176°F)
Relative Humidity	10% ~ 90% (non-condensing)

### Ordering Information

ET975K-i7	COM Express (Type 6) CPU Module w/ Intel® Core™ i7-7600U, DDR4 dual channel memory, 2x DDI
ET975K-i7V	COM Express (Type 6) CPU Module w/ Intel® Core™ i7-7600U, DDR4 dual channel memory, 1x DDI+ 1x VGA
ET975K-i7e32	COM Express (Type 6) CPU Module w/ Intel® Core™ i7-7600U, DDR4 dual channel memory, 2x DDI, eMMC 32GB
ET975K-i7Ve32	COM Express (Type 6) CPU Module w/ Intel® Core™ i7-7600U, DDR4 dual channel memory, 1x DDI+ 1x VGA, eMMC 32GB
ET975K-i5	COM Express (Type 6) CPU Module w/ Intel® Core™ i5-7300U, DDR4 dual channel memory, 2x DDI
ET975K-i5V	COM Express (Type 6) CPU Module w/ Intel® Core™ i5-7300U, DDR4 dual channel memory, 1x DDI+1x VGA
ET975K-i5e32	COM Express (Type 6) CPU Module w/ Intel® Core™ i5-7300U, DDR4 dual channel memory, 2x DDI, eMMC 32GB
ET975K-i5Ve32	COM Express (Type 6) CPU Module w/ Intel® Core™ i5-7300U, DDR4 dual channel memory, 1x DDI+1x VGA, eMMC 32GB
ET975K-i3 (MOQ)	COM Express (Type 6) CPU Module w/ Intel® Core™ i3-7100U, DDR4 dual channel memory, 2x DDI
ET975S-i7	COM Express (Type 6) CPU Module w/ Intel® Core™ i7-6600U, DDR4 dual channel memory, 2x DDI
ET975S-i7V	COM Express (Type 6) CPU Module w/ Intel® Core™ i7-6600U, DDR4 dual channel memory, 1x DDI+1x VGA
ET975S-i7e32	COM Express (Type 6) CPU Module w/ Intel® Core™ i7-6600U, DDR4 dual channel memory, 2x DDI, eMMC 32GB
ET975S-i7Ve32	COM Express (Type 6) CPU Module w/ Intel® Core™ i7-6600U, DDR4 dual channel memory, 1x DDI+1x VGA, eMMC 32GB
HSET975-A	Heatsink with Fan for ET975
HSET975-1	Heat Spreader for ET975

### Dimensions and Drawing



Our company network supports you worldwide with offices in Germany, Austria, Switzerland, Great Britain and the USA. For more information please contact:

## Headquarters

### Germany



#### FORTEC Elektronik AG

Lechwiesenstr. 9  
86899 Landsberg am Lech

Phone: +49 8191 91172-0  
E-Mail: [sales@fortecag.de](mailto:sales@fortecag.de)  
Internet: [www.fortecag.de](http://www.fortecag.de)

## Fortec Group Members

### Austria



#### FORTEC Elektronik AG

##### Office Vienna

Nuschinggasse 12  
1230 Wien

Phone: +43 1 8673492-0  
E-Mail: [office@fortec.at](mailto:office@fortec.at)  
Internet: [www.fortec.at](http://www.fortec.at)

### Germany



#### Distec GmbH

Augsburger Str. 2b  
82110 Germering

Phone: +49 89 894363-0  
E-Mail: [info@distec.de](mailto:info@distec.de)  
Internet: [www.distec.de](http://www.distec.de)

### Switzerland



#### ALTRAC AG

Bahnhofstraße 3  
5436 Würenlos

Phone: +41 44 7446111  
E-Mail: [info@altrac.ch](mailto:info@altrac.ch)  
Internet: [www.altrac.ch](http://www.altrac.ch)

### United Kingdom



#### Display Technology Ltd.

5 The Oaks Business Village  
Revenge Road, Lordswood  
Chatham, Kent, ME5 8LF

Phone: +44 1634 672755  
E-Mail: [info@displaytechnology.co.uk](mailto:info@displaytechnology.co.uk)  
Internet: [www.displaytechnology.co.uk](http://www.displaytechnology.co.uk)

### USA



#### Apollo Display Technologies, Corp.

87 Raynor Avenue,  
Unit 1 Ronkonkoma,  
NY 11779

Phone: +1 631 5804360  
E-Mail: [info@apolloDisplays.com](mailto:info@apolloDisplays.com)  
Internet: [www.apolloDisplays.com](http://www.apolloDisplays.com)