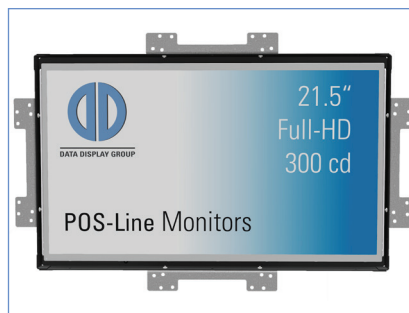


User Manual

POS-Line Series small V2



POS-Line Monitors
from 38 cm (15") to 61 cm (24")



DATA DISPLAY GROUP



Copyright

The contents of this manual are subject to change without notice.

© 2016 Data Display Group. All rights reserved.

Reproduction of this manual in parts or entirely without the previous authorization of Data Display Group is prohibited.

Data Display Group is not liable for errors and collateral or subsequent damage which result from supply, deployment or any other utilisation of this document.

All product names mentioned in this document are trademarks or registered trademarks of their due owners.

Table of Contents

1. General Specifications	4
2. Chassis Versions.....	5
3. Scope of Delivery	6
4. General Safety Regulations	7
5. First Installation.....	10
6. Touch Sensors.....	14
7. POS-Line Video PME.....	15
8. POS-Line IQ Atom.....	23
9. POS-Line IQ Core-i.....	26
10. POS-Line VideoPoster.....	29
11. WebPoster	34
12. Maintenance	36
13. Guarantee / Service	36
14. Disposal.....	38
15. Declaration of Conformity	39

1. General Specifications

Scope of Document

This user manual is valid for POS-Line monitors up to 61 cm (24"). The POS-Line monitors are offered in different screen sizes and with various controllers and other options.

Important note: This user manual is complemented by other additional documents when indicated.

All documents are also available for download from Data Display Group web site: www.datadisplay-group.com.

POS-Line monitor versions:

POS-Line Video PME: Monitor with integrated AD converter board, 1 x RGB, 1 x HDMI, 1 x Display Port.

POS-Line IQ Atom: Monitor with integrated PC board Intel Atom.

POS-Line IQ Core-i: Monitor with integrated PC board Intel Core i5/i7

POS-Line VideoPoster: Monitor with integrated network media player for video play lists.











2. Chassis Versions

Various front options are available for the POS-Line displays to support the mounting in different situations and applications. The front options changes the look of the displays.



Note: All the photos and graphic representations of this document show open frame displays. However, the explanations apply also to displays with front bezel.

Displays with various front bezels:

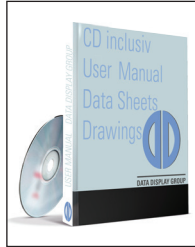
<p>Open frame display (without bezel)</p> <p>For mounting with angles or VESA compatible mounts.</p>		
<p>Display with front bezel</p> <p>For VESA compatible mounts.</p>		
<p>Display with front plate</p> <p>For front mount applications with angles or VESA compatible mounts.</p>		
<p>Display with true-flat glass</p> <p>For front mount applications with angles or VESA compatible mounts.</p>		
<p>IQ Core-i display with passive cooling</p> <p>IQ Core-i5/ i7 displays with passive cooling have a heat sink on the back side.</p>		

3. Scope of Delivery

When unpacking the monitor, please check if the following accessories are included in the shipment:



Note: Pictures can differ from actually supplied products.



Product information



Accompanying-DVD (Manuals, Datasheets, Driver, Drawings)



RGB cable***



USB cable*



Power adapter



USB stick**



2 mounting brackets****

- * Devices with touch sensor only
- ** POS-Line VideoPoster series only
- *** POS-Line PME series only
- **** Not together with option front bezel

4. General Safety Regulations

Safety information

Please read this safety information carefully for your personal safety and for the prevention of property damage.

In case of a malfunction, immediately disconnect the power plug and contact your dealer or the next Data Display Group service centre. A malfunction is also considered if the housing, a control element or cable is damaged or if liquids or other objects penetrate the monitor.

Please read the safety information carefully before installing the device. If you have any doubts about whether the device may be used in a particular environment, please contact our service partner.

Repairs

Repairs may only be carried out by authorized technical personnel. Unauthorized access or improper repairs might cause serious property damage or cause danger to the user. In addition to that, any legitimate warranty claim expires.

Electrical connection

Disconnect the monitor from socket before executing any work. Do not touch or connect data cables or power cables during thunderstorms.

System start-up

Before the system start-up let the monitor adjust to the room temperature. Do not expose the device to direct heat sources. In case of condensation, please wait a minimum of 12 hours before switching on the monitor. The monitor shall only be installed and used according to this documentation data sheets. Only qualified personnel may perform the initial installation and system setup.

Qualified personnel

Qualified personnel, in terms of the safety information of this documentation, are persons who are qualified to activate, ground and label devices, systems and circuits according to the safety standards.

Operation

For a proper and safe utilization of the product, adequate transportation, storage, installation, assembly, careful handling and maintenance are essential. The device is only certified for in-door operation. Extreme ambient conditions shall be avoided and the monitor shall be protected from dust, humidity and heat. Do not expose the monitor to direct sunlight.

Transport

Unpack the monitor at the place of installation. Use only original packaging for transportation. Please observe these rules for any later transport.

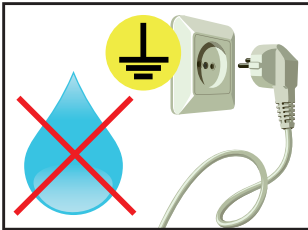
Condensation

Avoid condensation during transport at low temperatures or at extreme fluctuations of temperature.

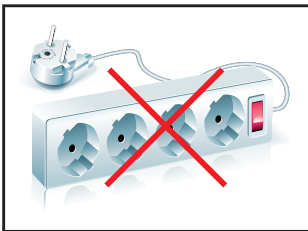


Safety guidelines for the handling of LCD monitors

- If the device is not used for a long period of time, unplug the power cable.
- Do not unplug the power cable while the device is powered on, except for emergencies.
- To unplug the device without problems, sockets have to be easily accessible.
- Ensure that the power cable does not get pinched or kinked.
- Do not place heavy objects on the power cable.



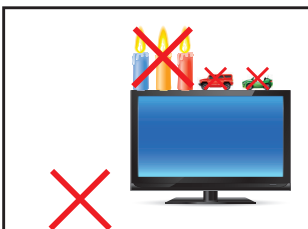
- Do not use damaged or loose sockets to plug in the device.
- Plug the device in secured sockets only.
- Operate the device with the power cables included in the delivery packet only.
- Use undamaged power cables only.
- When plugging in and out, do not touch the power cable with wet hands.
- Ensure that the power cable is plugged in the socket safely and correctly.
- Use for devices with external power supply only Low Power Source (LPS).



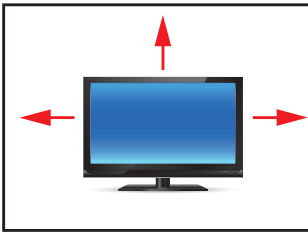
- Do not use extension block to plug several devices into a single socket.



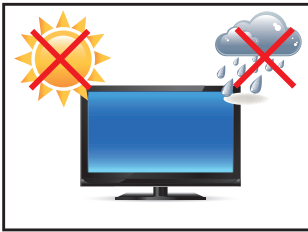
- According to the size, devices may be difficult to handle and very heavy. Ensure that at least two people lift and carry the device.
- Put down the device slowly and carefully to avoid damaging the LCD screen. Ensure that the device stands stable.
- Keep packaging away from children. Danger of suffocation!
- Use our specified and professionally mounted wall mounting only.



- Do not put objects onto the device.
- Do not place candles, heaters or humidifier near the device.
- Keep the device away from fireplaces and flammable materials.



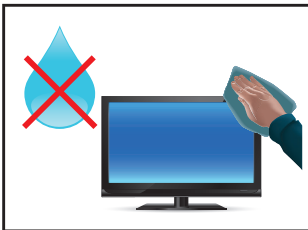
- Ensure sufficient ventilation of the device.
- Keep a minimum distance of at least 10 mm devices to the wall, for devices with integrated PC of at least 40 mm.
- Ensure compliance with the operating temperature.



- Do not install the device in places where it is exposed to environmental impacts such as rain or direct sunlight.
- Do not install the device in places where it is exposed to high humidity, dust or smoke. In case of doubt, please contact your sales partner.



- Please use a soft, moist cloth for cleaning.
- For cleaning the screen, please use only commercially available screen cleaner. Do not spray the cleaner directly to the device but onto a cloth.
- Please clean ventilation slots regularly to ensure a good air circulation.



- Protect your device from water splash.
- When cleaning, please make sure that no liquids get into the device.
- Screens and surfaces can be easily scratched. Therefore, please use the prescribed cloth only.

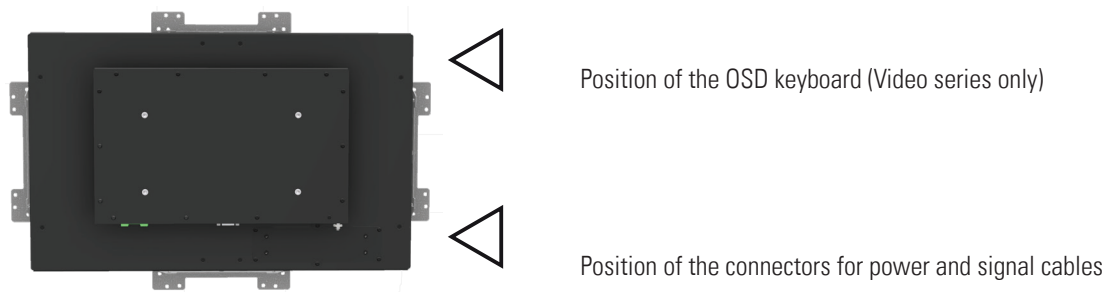


- In case of unusual noises, burnt smell or smoke unplug the power cable.
- Do not insert objects into the device through the ventilation slots.
- If the same picture is displayed over a longer period of time, an after-image may arise.
- When exchanging batteries, pay attention to the polarity. Keep batteries away from children and ensure an environmentally correct disposal.

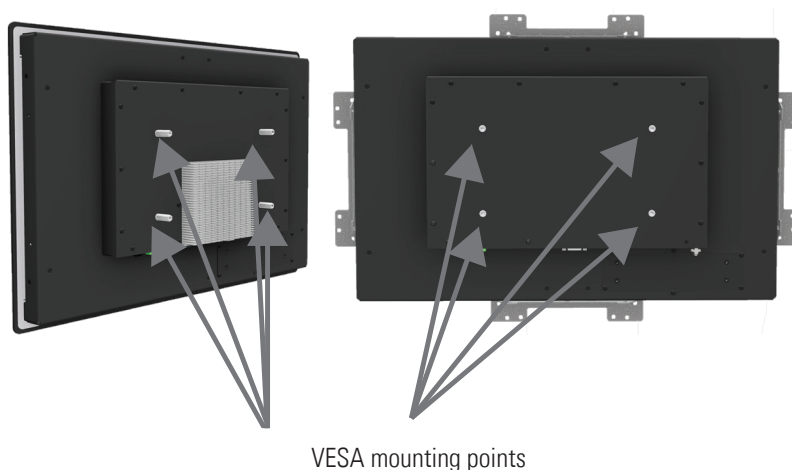
5. First Installation

Position of connectors and controls

All the connectors for power and cables are located at the bottom of the back side of the display. The OSD keyboard (POS-Line Video series only) is located at the top of the back side.



Mounting with VESA compliant monitor brackets



The POS Line monitors have an integrated VESA mounting.

The operating position of the device is perpendicular (90 degrees to the floor). For wall mounting, the permissible tilt angle is observed. The device can be operated both in landscape mode and in portrait mode.

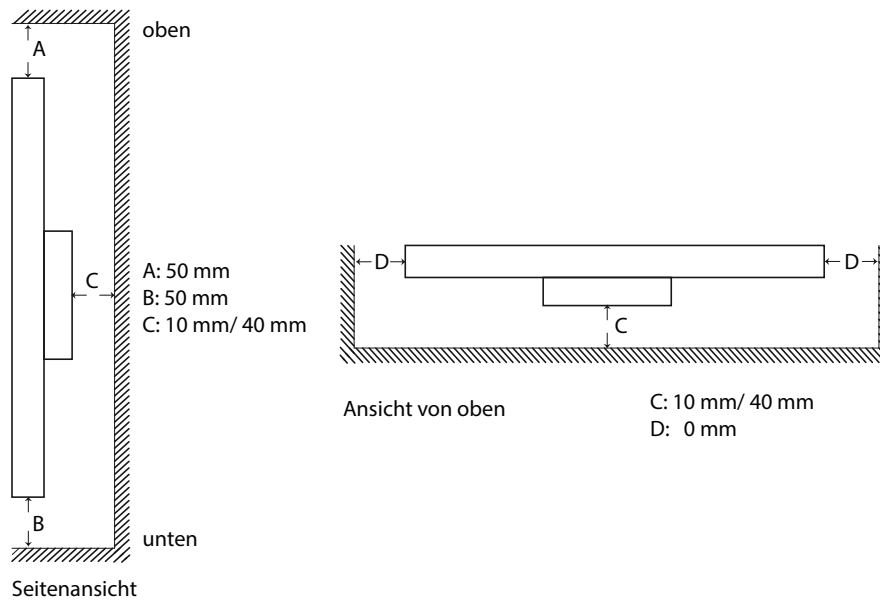
VESA formats:

VESA 200x100 POS Line

Mounting on wall

Distance to wall:

- devices without integrated PC: min. 10 mm
- devices with integrated PC: min. 40 mm



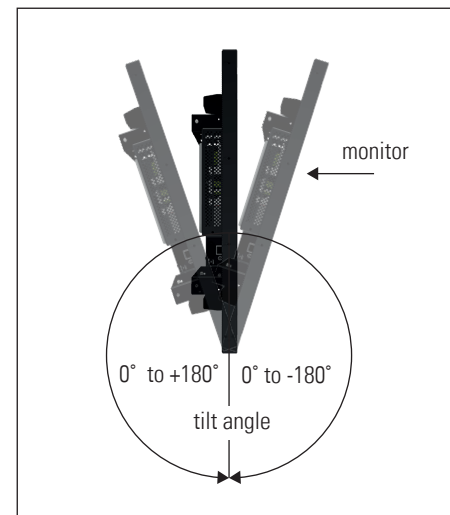
Allowed tilt angle for mounting

The following monitors may be mounted only with a tilt angle of 0° - $+180^\circ$:

- All monitors with true-flat glass/ true-flat PCAP touch
- All monitors with safety glass/ touchscreen and without bezel

The following monitors may be mounted only with a tilt angle of 0° to -180° :

- All monitors without safety glass, true-flat glass or touchscreen



Connecting to Power



Note: The operating power of the POS-Line monitor depends on the chosen controller and on selected options. Please read the label regarding the power supply before connecting the monitor to the power.

Note: POS-Line V2 Monitors can be supplied with a suitable power supply from our accessories store. Please observe the notes in the section "Connecting to an existing power supply".

Depending on controller and on ordered options, POS-Line monitors have different power requirements. The following table lists all the POS-Line versions and their operating power:

Monitor Version	Operating Power			Power Supply Included
	min.	typ.	max.	
POS-Line Video PME (for standard video signals VGA, HDMI, DP)	11.7 V DC	12 V DC	12.3 V DC	no
POS-Line IQ Atom	11.4 V DC	12 V - 24 V DC	27.3 V DC	no
POS-Line Core-i	10 V DC	12 V - 24 V DC	24 V DC	no
POS-Line VideoPoster	11.4 V DC	12 V DC	12.6 V DC	no

Display	Input voltage	Output voltage	Output current	Power
Power supply für POS-Line PME, VideoPoster and IQ Atom	100-240 V AC	12V DC	5 A	60 Watts
Power supply for POS-Line series IQ-Core-i series	100-240 V AC	12V DC	7 A	84 Watts

The power is connected to the display via the green female connector at the back side.

Female connector: Phoenix Contact DFK-MSTB-2,5 / 3-GF
 Male plug: Phoenix Contact MSTB 2,5 / 3-STF

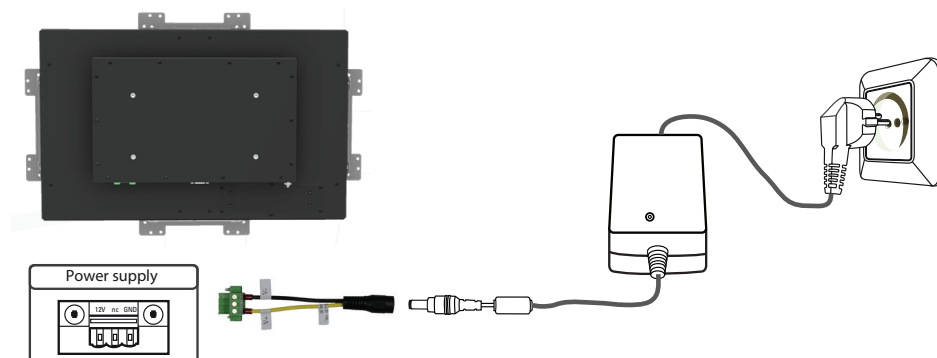
Connecting to power with optional power supply



Note: Connect the data cables to external devices before plugging the display to the power.

An adapter cable to connect the optional AC power adapter is included to all monitors in the package.

- Connect the adapter cable to the display.
- Connect the adapter cable to the 12 V connector of the power supply.
- Connect the power cable to the power supply.
- Connect the power cable to a power socket.
- Disconnect device: The AC main power supply can be disconnected via the Phoenix connector (DC), via the POS-Line V2 monitor or the AC adapter's plug.

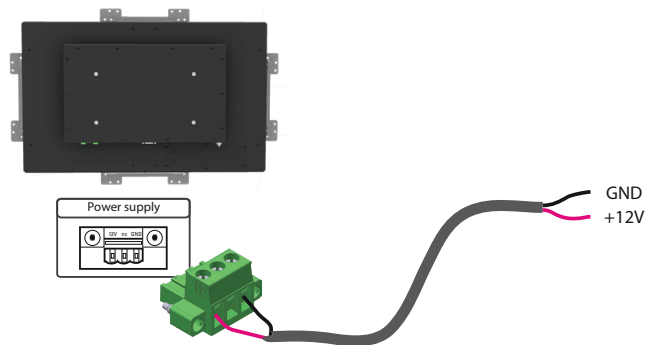


Connecting to an existing power supply



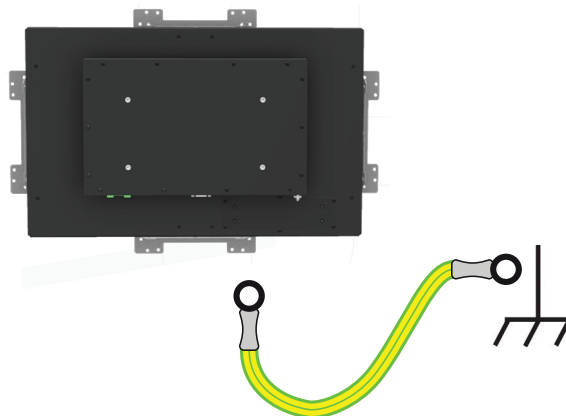
Caution: POS-Line V2 monitors with an input voltage of 12V or 24V can only be used with a current source of limited power (see standard EN 60950-1, chapter 2.5, table 2B "current source limited line" with max. 24V / 4A 100VA).

- Make sure that your external power supply is sufficient for the display. The maximum power consumption of the display is indicated in the data sheet and the display label.
- Disconnect the adapter cable, if necessary, the device and the power supply.
- Disconnect the green connector from the adapter cable.
- Connect your POS-Line monitor to your power source. Pay attention to polarity of the green connector!
- Connect the green connector to the device.
- Disconnect: The DC supply network can be disconnected via the Phoenix connector, at the POS-Line V2 monitor.



Grounding the display chassis

Optionally the display chassis can be connected to the ground of a machine or other equipment. The earth cable must have a sufficient cross-sectional area, i.e. 0.75 mm².



6. Touch Sensors

POS-Line monitors are available with touch option. Depending on the panel size, different touch systems and touch technologies are used. If the monitor has been ordered with touch option, the touch sensor and touch controller are installed at factory.

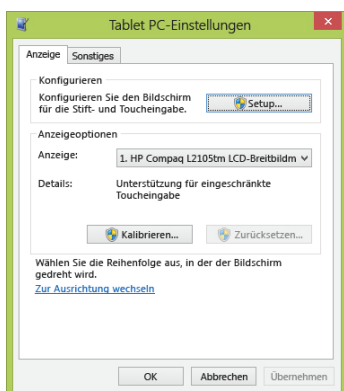
POS-Line IQ:

The actual touch driver is pre-installed on these systems if ordered with operating system. The touch can be put directly into operation.

POS-Line Video:

The drivers for these monitors must be installed on your PC system. HID devices do not need drivers for Windows 7 and higher. Please contact our support center if you are using LINUX based computers.

If a driver is required, the touch on this driver must be calibrated. Is it a HID Touch, Windows calibration in the control panel must be performed.



path:

Control Panel \ All Control Panel Items \ Tablet PC Settings

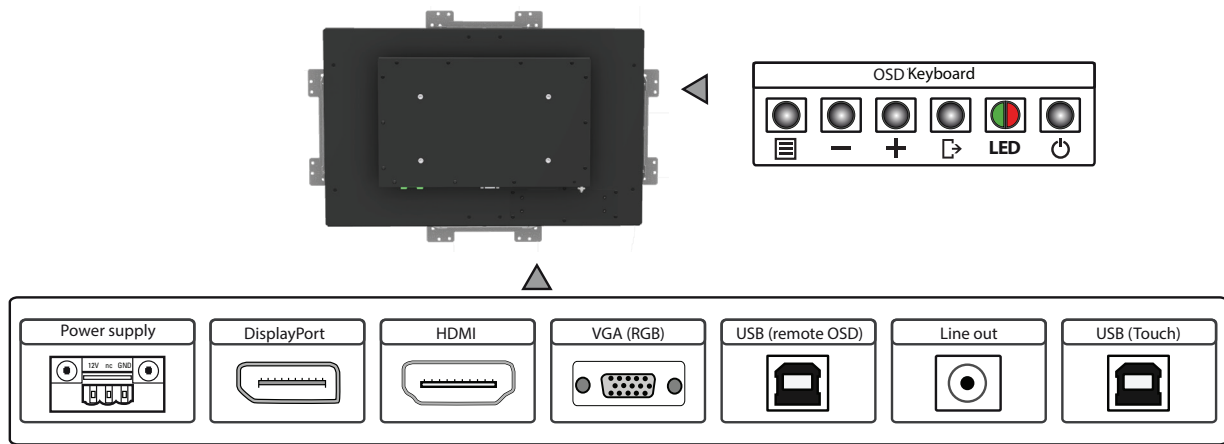
Note: All drivers for the touch sensors can be found on the enclosed DVD. The following table gives an overview over the touch systems including web addresses for driver downloads.

Touch system overview:

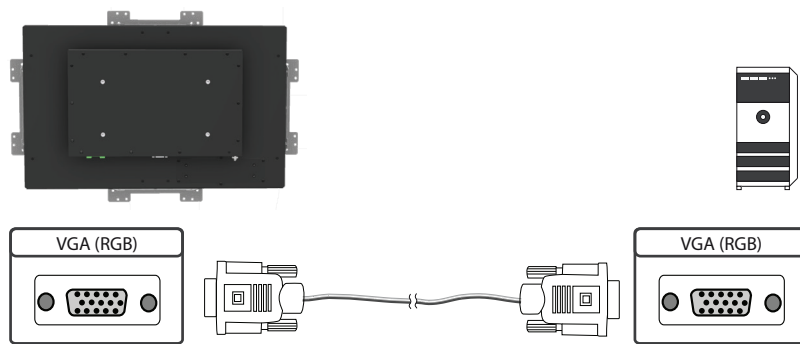
Panel size	Touch technology	Manufacturer	Type	Driver download
15"	5-wire resistive	ABON	A-15150-0302	http://home.eeti.com.tw/web20/eg/Touch_Drives.html
17"	5-wire resistive	ABON	A-15170-0302	http://home.eeti.com.tw/web20/eg/Touch_Drives.html
17.3"	P-CAP	Dytos	PCT017370003	http://home.eeti.com.tw/web20/eg/Touch_Drives.html
19"	5-wire resistive	ABON	A-15190-0303	http://home.eeti.com.tw/web20/eg/Touch_Drives.html
21.5"	P-CAP	Dytos	PCT021570001	http://home.eeti.com.tw/web20/eg/Touch_Drives.html
24"	P-CAP	Dytos	PCT024070003	http://home.eeti.com.tw/web20/eg/Touch_Drives.html

7. POS-Line Video PME

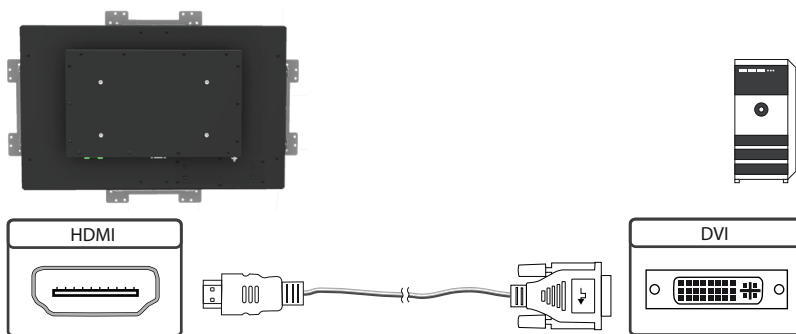
Connectors and OSD buttons of POS-Line Video PME series



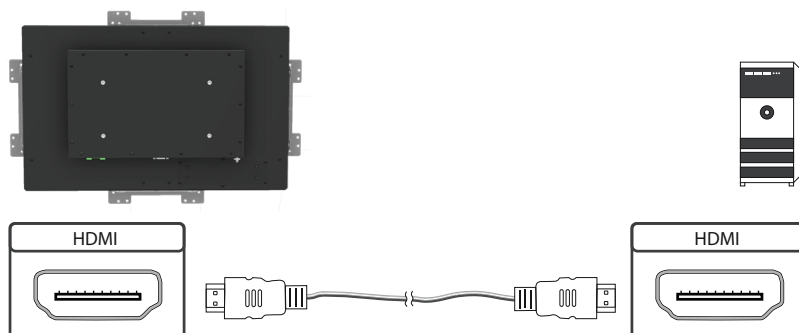
Connecting to a PC with VGA cable



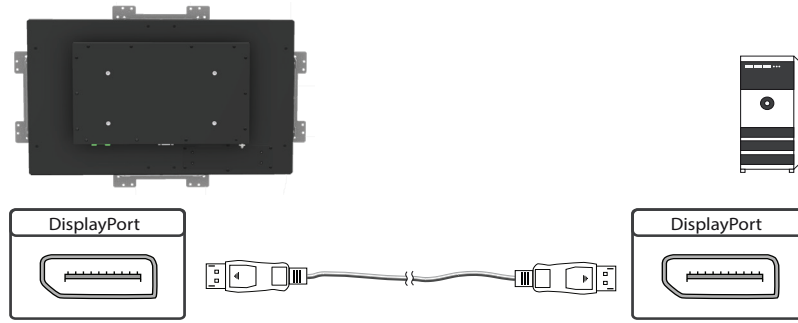
Connecting to a PC with HDMI-DVI cable



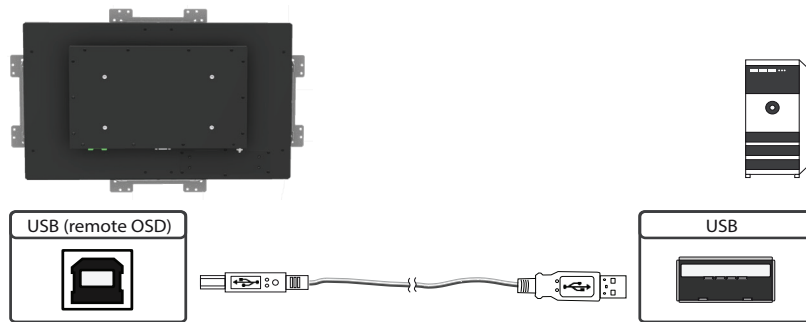
Connecting to a PC with HDMI cable



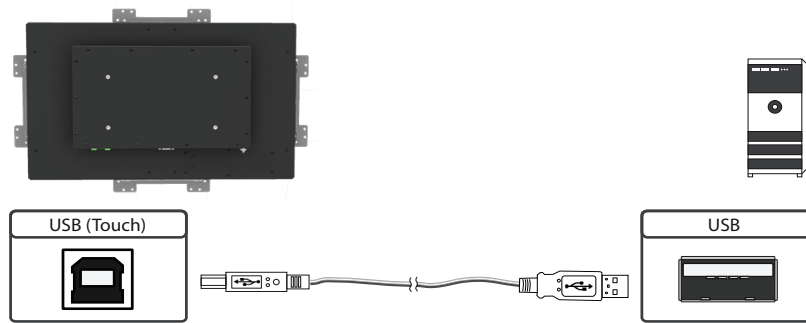
Connecting to a PC with DisplayPort cable



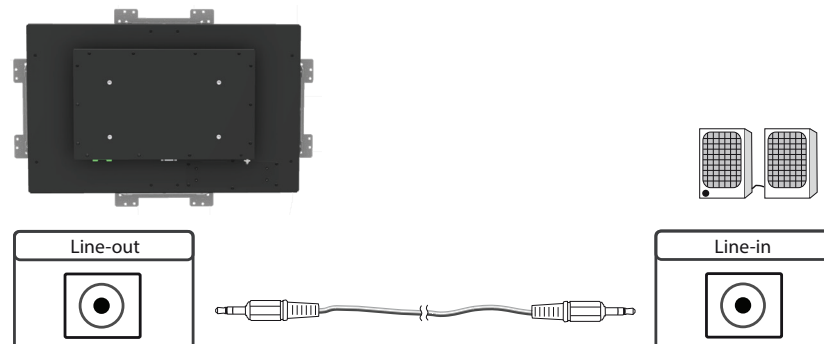
Connecting the Remote-OSD to a PC with USB cable



Connecting the touch to a PC with USB cable (for displays with touch sensor only)



Connecting active speakers with audio cable

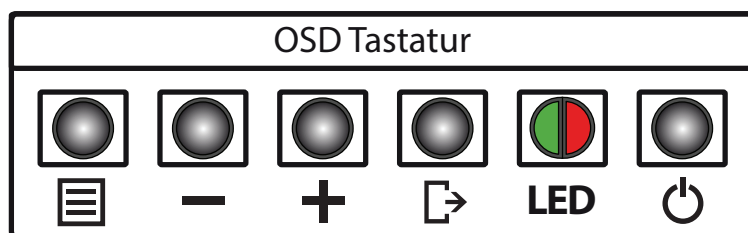


Remote OSD control

To control the OSD menu of the display remotely from a PC, use a USB cable and connect the display to your PC as described above. Please read the handbook for the remote control carefully. The handbook can be found in folder 'Remote-OSD' of the attached CD. The document describes in detail all the commands and the structure of the commands for the serial interface.

OSD keyboard

The OSD functions of the monitor can be controlled via OSD key pad. The OSD allows the selection of the input source and the fine tuning of various functional parameters like brightness, contrast etc.



The six buttons of the OSD control can either be used:

- To access various functions directly
- To navigate within the OSD

The following two tables give an overview of the functions:

Direct functions:

Key	Function	Comment
Menu	Open the OSD menu	
—	Open volume control	
+	Open brightness control	
Exit	Select signal input	
Power	On/ Off	

Navigation in OSD menu:

Key	Function	Comment
Menu	Open sub menu	when in main
	Confirm entry	when in main
—	Cursor down	when in main or in sub menu
	Cursor/ slider to the left	when in main or in sub menu
+	Cursor up	when in main or in sub menu
	Cursor/ slider to the right	when in main or in sub menu
Exit	Leave OSD menu	when in main
	Leave sub menu	when in sub menu

The green/red LEDs (single package) on the external keypad show the current status of the board:

Color	Meaning	Remark
Green	Signal found	
Green blink	Search signal	
Red	Power safe mode	
LED off	Monitor off	

OSD menu

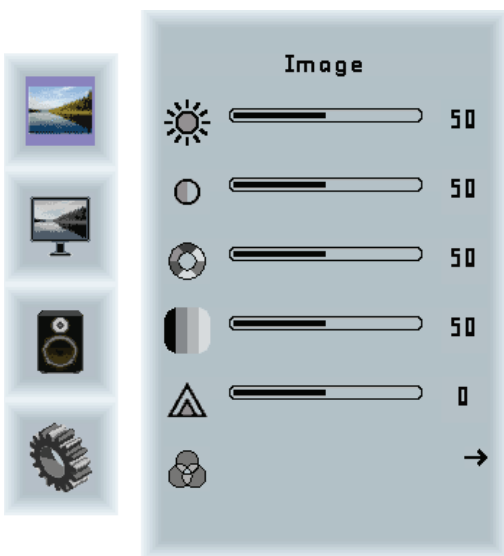


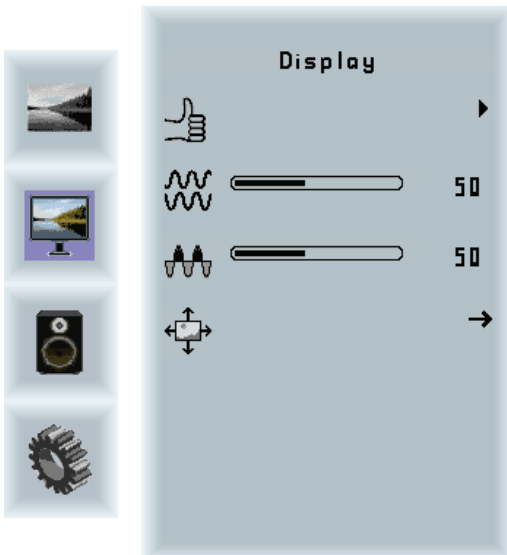
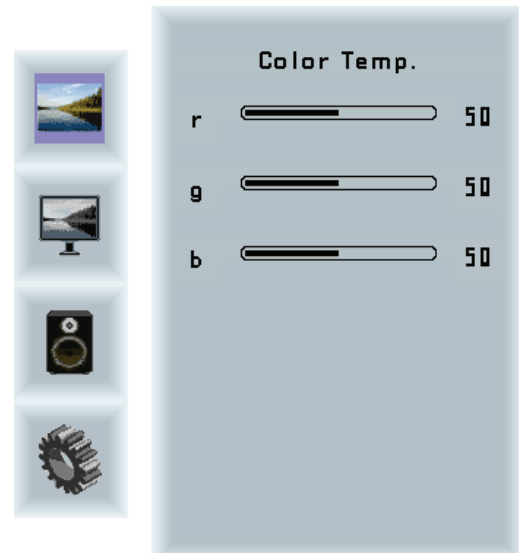
Image Menu

- Brightness: Panel brightness adjustment.
- Contrast: Panel contrast adjustment.
- Hue: Panel hue adjustment.
- Saturation: Panel saturation adjustment.
- Sharpness: Panel sharpness adjustment.
- Color: Opens the color sub menu.



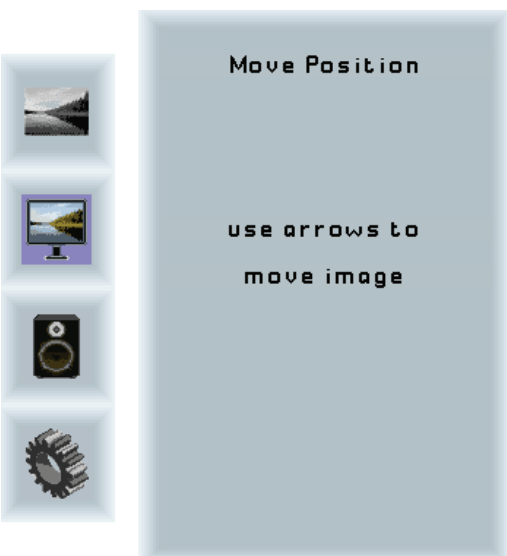
Color Sub Menu

- Auto: Performs auto color adjustment.
- Color Temp: Allow selection of different color temperature schemes, predefined and custom. Available if color space of input is RGB.
- Full color: Selects full received color space.
- SRGB: Selects SRGB color space.
- XVYCC: Selects XVYCC color space.



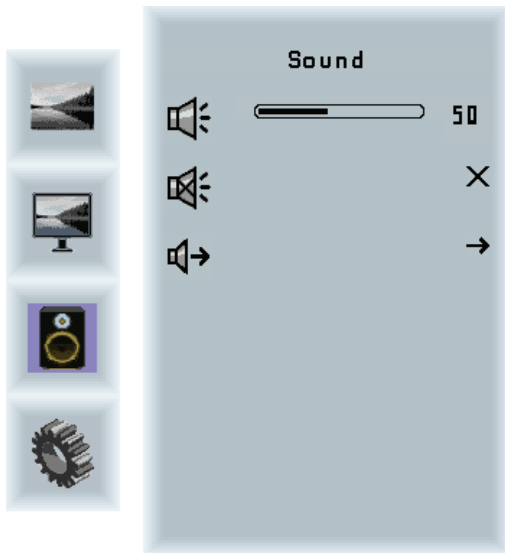
Display Menu

- Auto-adjust: Performs auto-adjustment on the VGA input image.
- Phase: This function is a slider to adjust the sampling phase of the analogue interface. For optimum image quality, input pixels should be sampled at the ideal sampling points.
- Clock: This function is a slider to adjust the sample clock of the analogue interface. This is helpful for improving the image quality for non-standard display modes.
- Position: Used to modify the placement of the image.



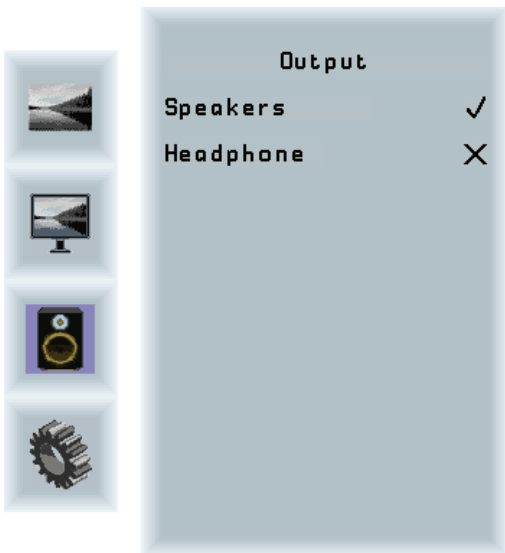
Move Position Sub Menu

- Arrows: Use arrow keys to move the position of the image on the screen.



Sound Menu

- Volume: Slider bar to adjust volume.
- Mute: Mutes audio.
- Output: Chooses between speakers and headphone. Only one can be active at a time (Speakers are not available for POS-Line monitors).



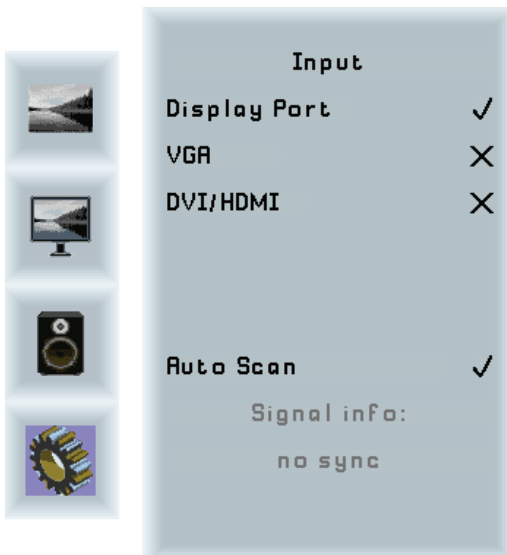
Output Sub Menu

- Speakers: Toggles speakers on/ off.
- Headphone: Toggles headphone on/ off.



System Menu

- Input source: Sub menu to select input source.
- OSD settings: Sub menu for OSD settings.
- Factory reset: Sub menu for Factory Reset.
- EDIT settings: Sub menu for EDIT settings.
- FW Revision: Firmware revision.
- OSD Revision: OSD revision.



Input Sub Menu

- Display Port: Select display port as input signal.
- VGA: Select VGA as input signal.
- DVI/HDMI: Select DVI/ HDMI as input signal.
- Auto Scan: Enable/ disable input auto-scan.



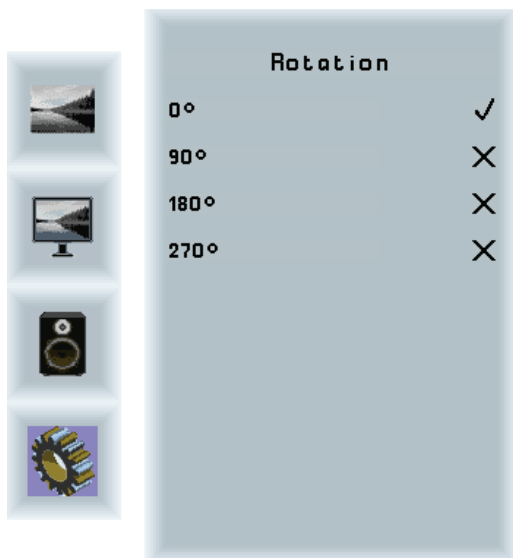
OSD Settings Sub Menu

- Timer: Sub menu for timer settings.
- Rotation: Sub menu for rotation settings.
- Position: Sub menu for image position.
- Transparency: Slider to set transparency.



Timer Sub Menu

- Timer: Selects how many seconds the OSD will remain active after the last use.



Rotation Sub Menu

Rotation: Rotates the OSD menu.



Reset Sub Menu

Reset: Performs factory reset.



EDID Write Protect Sub Menu

Write protect: EDID write protect on/ off.

8. POS-Line IQ Atom



Note: The delivery packet includes a driver DVD with all the Atom main board drivers!



Note: This POS-Line display is equipped with a battery. Please read the following instructions carefully:

- Unplug the power cable before exchanging the battery.
- There is a risk of explosion if the battery is not installed correctly.
- Replace the battery always with a battery of the same type.
- Recycle empty batteries with the free battery collection system. Please read the chapter "Disposal" of this document.

Passive cooling

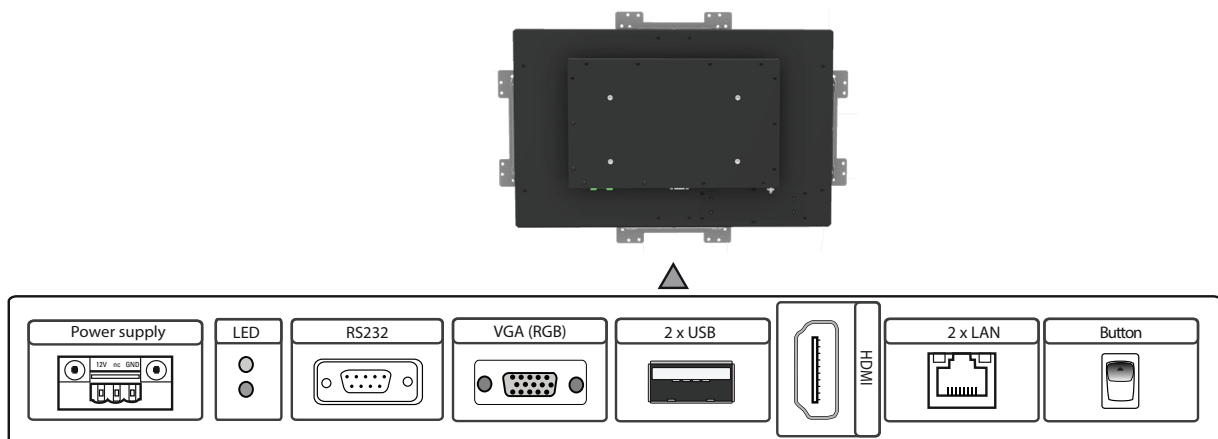
The POS-Line displays of the IQ Atom series (integrated PC) are with passive cooling (fan-less).

Passively cooled monitors conduct heat from the processor to the monitor housing. Passively cooled devices have no moving parts..

PC specifications

Please inform yourself current data sheet about the details of the PC specification of the IQ Atom.

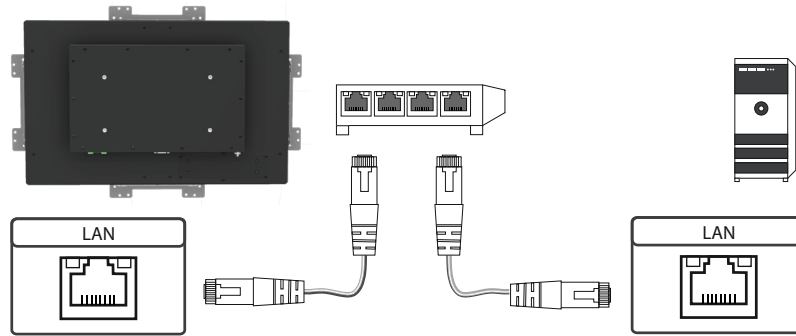
Connectors of POS-Line IQ Atom series



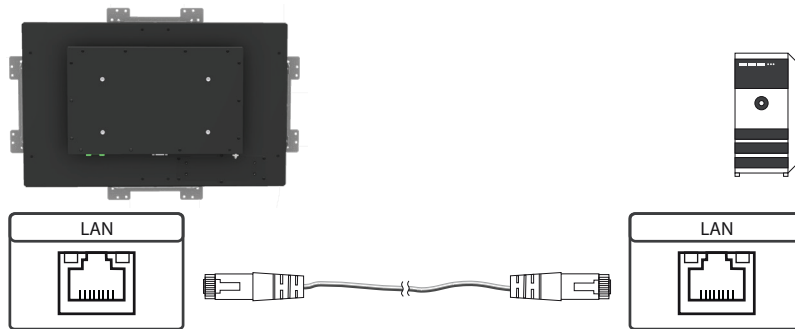
LED-display

- upper LED lights yellow - HDD active
- lower LED lights green - power on

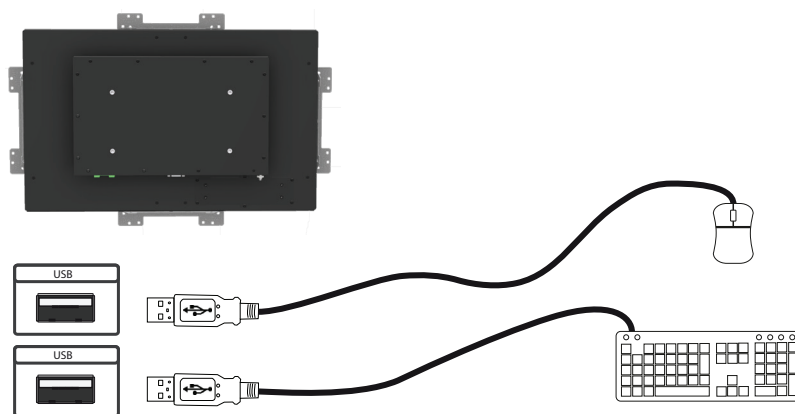
Connecting to a network using a patch cable



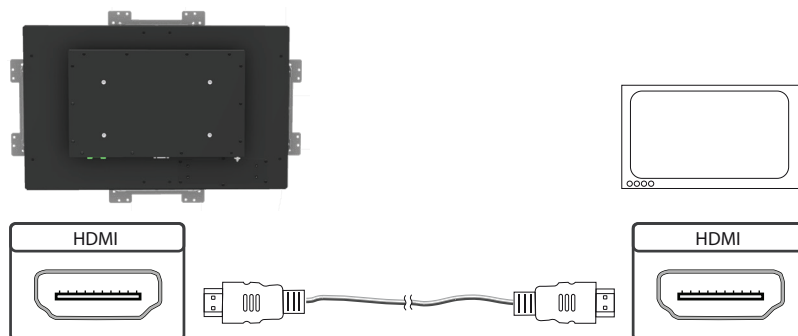
Connecting to a PC using a cross-over cable



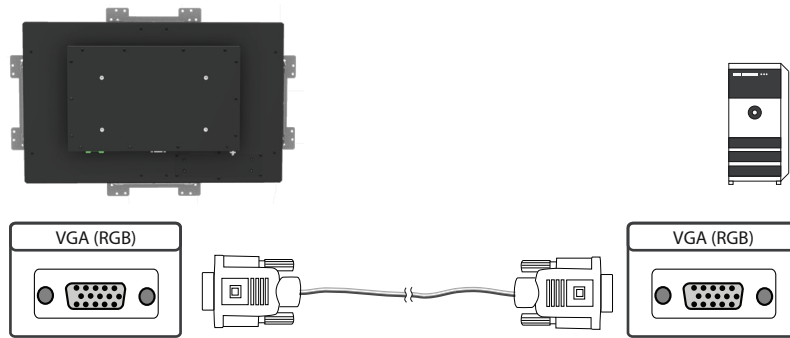
Connecting keyboard and mouse with USB cable



Connecting an external monitor with HDMI cable

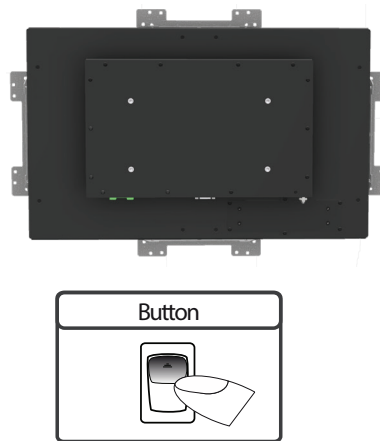


Connecting an external monitor with VGA cable



Power on/off

The display boots automatically after connecting to the power. Use the push button to switch the display on and off. If switched on, push the push button once to shut down the system. The panel is switched off. If switched off, push the push button once to turn on the display.



BIOS settings

A BIOS from American Megatrends Inc. (AMI BIOS) is installed on the PC main board. To change BIOS settings press the 'DEL' or 'F2' key on your keyboard during the boot process of the PC.

Operating systems

An operating system is pre-installed if your POS-Line display has been ordered with this option. In this case all main board drivers or touch drivers are installed.

Activating the operating system:

- Windows Embedded: This OS is already activated. The license key sticker can be found on the back side of the display.
- Windows 7 and higher: This OS is not activated. The license key sticker is added to the product documentation. After switching on the display for the first time Windows will prompt for the key.

9. POS-Line IQ Core-i



Note: The packet includes a driver DVD with all Core-i main board drivers!



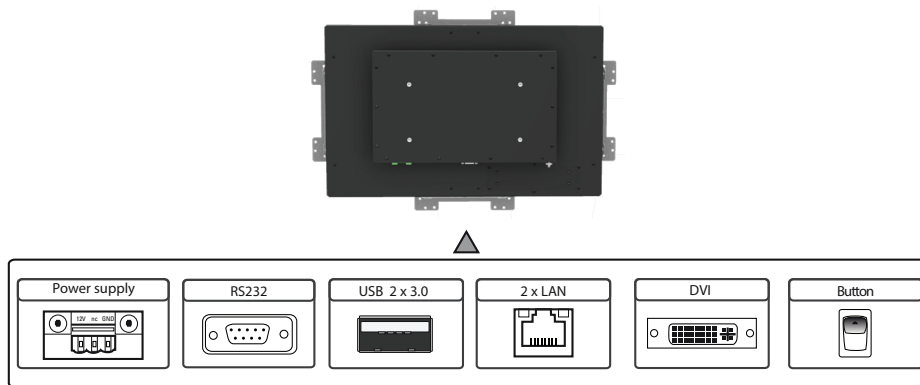
Note: This POS-Line display is equipped with a battery. Please read the following note carefully:

- Unplug the power cable before exchanging the battery.
- There is a risk of explosion if the battery is not installed correctly.
- Replace the battery always with a battery of the same type.
- Recycle empty batteries with the free battery collection system. Please read the chapter "Disposal" in this document.

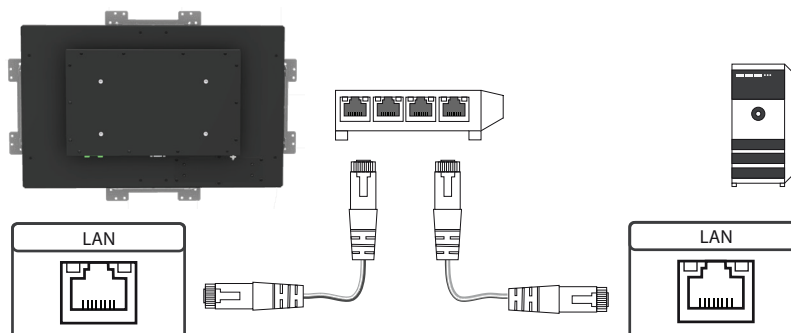
PC specification

Please inform yourself current data sheet POS Line large about the details of the PC specification of the IQ intel Core i5/ i7.

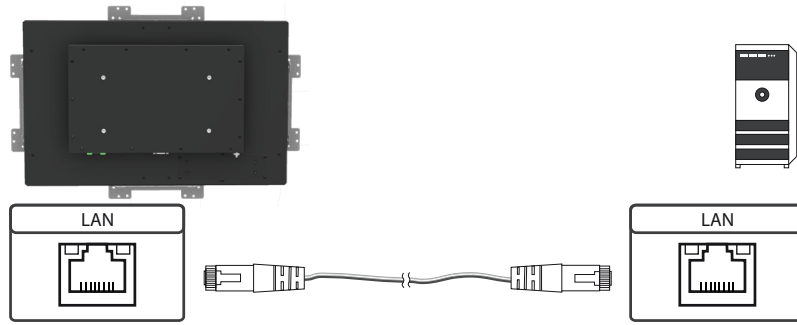
Connectors of POS-Line IQ series



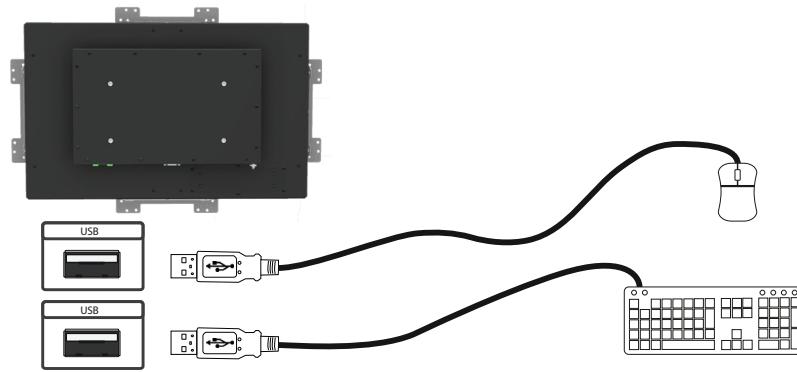
Connecting to a network using a patch cable



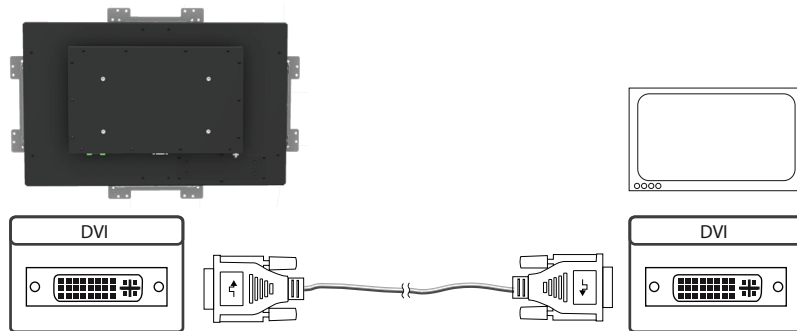
Connecting to a PC using a cross-over cable



Connecting keyboard and mouse with USB cable

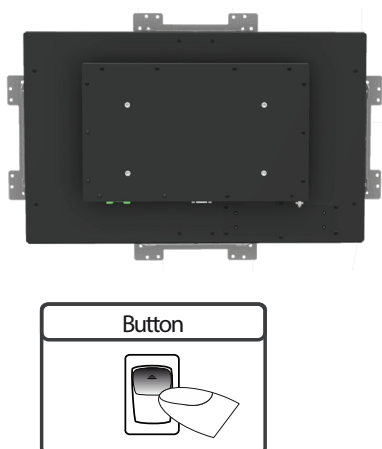


Connecting an external monitor with DVI cable



Power on/off

The display boots automatically after connecting to the power. Use the push button to switch the display on and off. If switched on, push the push button once to shut down the system. The panel is switched off. If switched off, push the push button once to turn on the display.



BIOS settings

A BIOS from American Megatrends Inc. (AMI BIOS) is installed on the PC main board. To change BIOS settings press the 'DEL' or 'ESC' key on your keyboard during the boot process of the PC.

Operating systems

An operating system is pre-installed if your POS-Line display has been ordered with this option. In this case all main board drivers or touch drivers are installed.

Activating the operating system:

- Windows Embedded: This OS is already activated. The license key sticker can be found on the back side of the display.
- Windows 7 and higher: This OS is not activated. The license key sticker is added to the product documentation. After switching on the display for the first time Windows will prompt for the key.

10. POS-Line VideoPoster



Note: Further information on media player, play list structure, handling, utilization and supporting software modules are available at

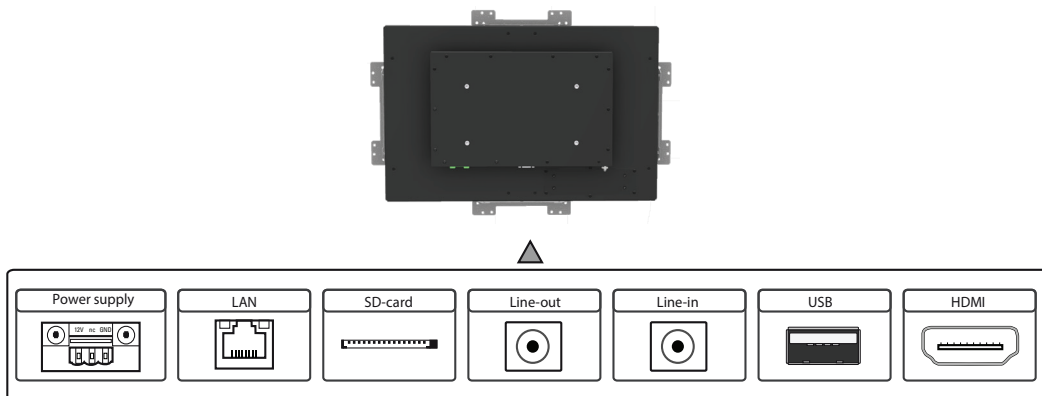
[Http://www.datadisplay-group.com/tft-controller/industrial-mediaplayers/](http://www.datadisplay-group.com/tft-controller/industrial-mediaplayers/)



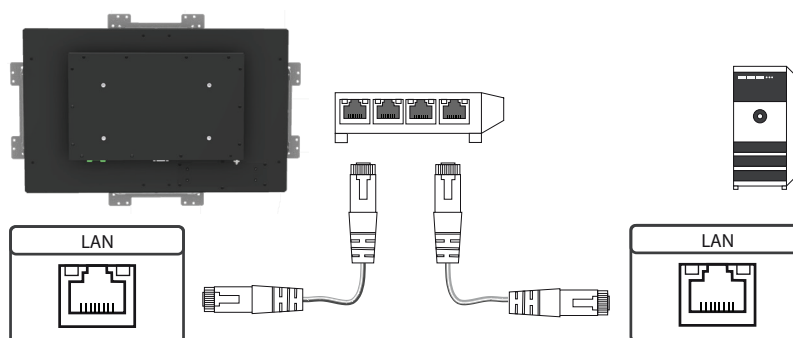
Note: This POS-Line display is equipped with a battery. Please read the following information carefully:

- Unplug the power cable before exchanging the battery.
- There is a risk of explosion if the battery is not installed correctly.
- Replace the battery always with a battery of the same type.
- Recycle empty batteries with the free battery collection system. Please read the chapter "Disposal" in this document.

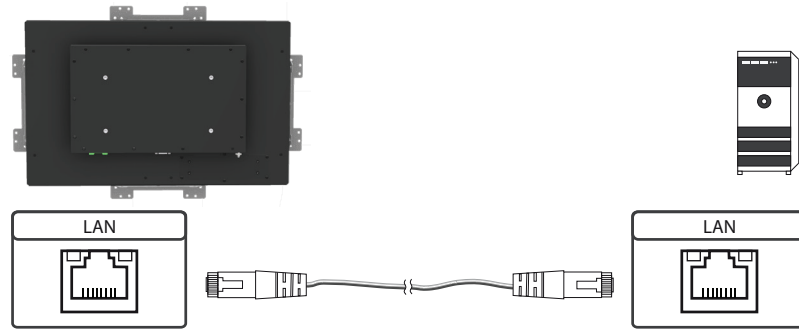
Connectors of POS-Line VideoPoster series



Connecting to a network using a patch cable



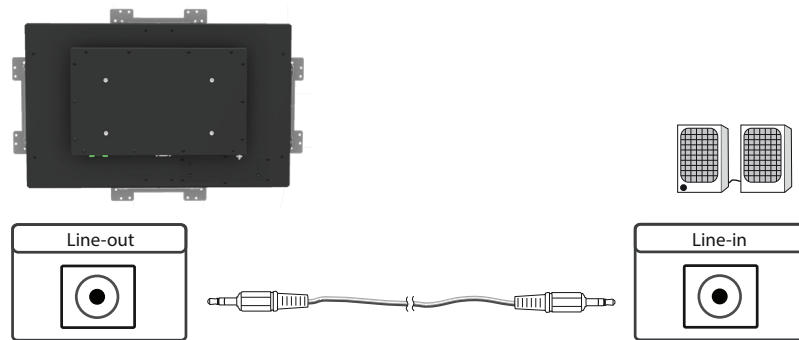
Connecting to a PC using a cross-over cable



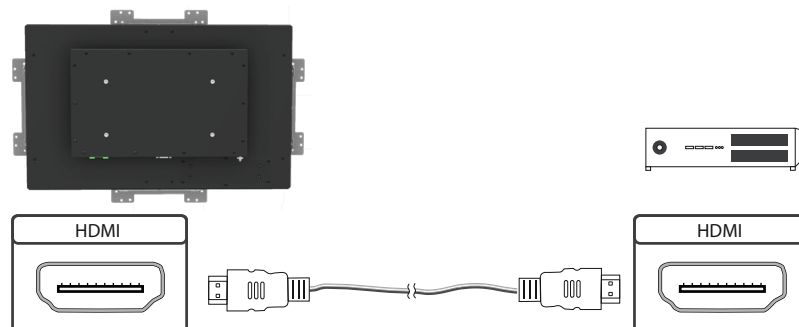
Connecting an USB stick



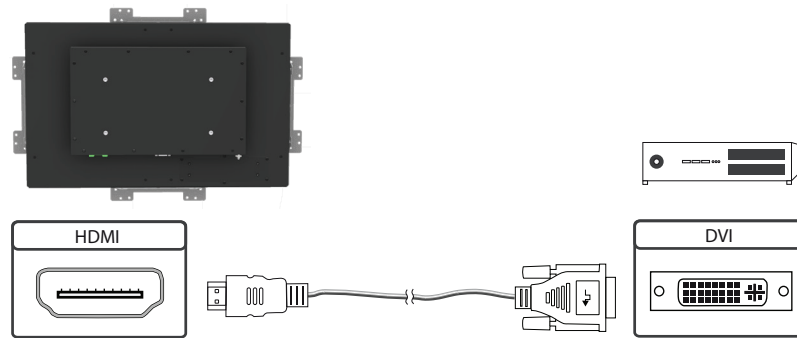
Connecting active speakers



Connecting a signal source using a HDMI cable



Connecting a signal source using a HDMI-DVI cable



Factory configuration at the time of delivery

POS-Line VideoPoster is a network (Ethernet) device. Please note that inaccurate network configuration can have unintended influence on network operations and cause a breakdown of the entire network. To setup the device properly, you must be familiar with the basic operating parameters of your network.

Factory configuration of POS-Line VideoPoster at time of delivery:

- DHCP: off
- IP-Address: 192.168.0.1
- Netmask: 255.255.255.0
- Hostname: Videoposter-III-xx-xx-xx (last 6 bytes of the devices MAC address)
- Login Name: Artista
- Password: Artista
- FTP content update: off

SD Card

Content (play list) is stored locally on a SD card. The SD card is already installed at the factory and must not be removed or plugged in during operation. POS-Line VideoPoster will not work without SD card.

Supported media formats

Video:

- MPEG-4 AVC / H.264
- Windows Media Video (WMV)
- Quicktime
- Flash Video
- MPEG Transport Stream

Still images:

- PNG
- JPG
- BMP

Functional description

POS-Line VideoPoster is a networked stand alone media player to playback play lists. Operating systems or other client-based software components are not required. Play lists are based on a XML structure and can include videos and images. The media player controls the play list. A play list is looped endlessly until a new play list is loaded or the player is switched off. A play list may contain several sub play lists which can be triggered by an internal timer or other external events like push buttons or proximity switches (optional external I/O board).

POS-Line VideoPoster does not need any local operation. As soon as a play list is loaded, the media player will automatically start with playback. Power can be switched off at any time, a shut down procedure is not required. After power on, the media player will automatically playback the current play list.

Connecting an external source with priority

An external source like video player or sat receiver can be connected to the POS-Line VideoPoster via HDMI. If priority of the HDMI connector has been activated, the playback of the play list will stop as soon as a HDMI signal is detected. In this case, the HDMI signal is shown on the screen. If the external player is switched off, the media player will automatically start or continuing playing back the internally stored play list.

Software

The attached CD contains the following software and documentation:

ACC: Windows software to create play lists for POS-Line VideoPoster devices. Use ACC to transfer play lists to VideoPoster, and to store play lists on USB sticks for manual transfer.

ADF: Windows software to support installation and configuration of VideoPoster devices. Connect your POS-Line VideoPoster as shipped (factory configuration) to the network. ADF will detect all VideoPosters and allow an easy configuration of the network parameters.

Downloading play lists

There are basically four methods to download play lists:

Via USB: Store the play list on a USB stick and insert the USB stick into the USB port of the display. The play list is automatically copied to the SD card and playback starts immediately.

Via ACC: This is a free software for Windows to create play lists and to upload play lists to one or more media player in the network.

Via FTP-Server: POS-Line VideoPoster will connect to the FTP server in configurable time intervals. If a new content is detected, the difference to the existing play list is copied to the SD card and playback starts automatically.

Via HTTP-Protocol: Use HTTP protocol to transfer and control POS-Line VideoPoster from any existing Content Management System.

Configuration

Use any Internet browser like Firefox, Internet Explorer, Chrome, etc. for the configuration of the POS-Line VideoPoster. Enter the URL (i.e. IP address or network device name) to open the device's web interface. Please enter the password if required (factory settings: Login name: Artista; Password: Artista).

Layout of the web interface:

Information

System Information:	Here you can find all the information about the system like software revision. In case of a support request please add a printout of this page to your mail for a fast processing.
View Logs:	POS-Line VideoPoster creates log files to allow an easy monitoring of operations. The following log files are available: <ul style="list-style-type: none"> Player – shows the log file of the video player and error messages. Updater – shows the log file of content updates and error messages. Setup Manager – shows the list of executed setup files. Event Manager – shows error messages of the event manager.

Configuration

Network Configuration:	This page includes all entries for the network configuration. Click on „Submit Configuration“ to store the settings and change the configuration. Clicking on „Reset Configuration“ deletes all entries in the web page but does not change the configuration.
Date and Time:	Enter date, time and time zone. Enter a network time server for automatic synchronization (NTP).
Content Auto Update:	To configure automatic content updates with FTP server, enter the FTP server access information and update time interval here.
Audio Settings:	Volume settings for speakers.
Display Settings:	Panel brightness settings.
HTTP Access:	Enter password. It is recommended to change the password after installation.
Advanced:	Firmware updates, SD card formatting, reset of hardware configuration to factory defaults and priority setting for HDMI input.

Restart

Restart:	Media player restart.
----------	-----------------------

On-screen display of IP-address and host name

IP-address and host name are shown on the screen for 5 seconds during the boot process.

11. WebPoster

Connections and controls

WebPoster are POS-Line IQ Atom devices with a special firmware, so the ports and operating in the „IQ Atom“ must be observed. Connecting a mouse and keyboard is not supported with this firmware.

Functional description

The Industrial HTML Full HD Player is a complete solution for viewing Web pages. The website can be configured via a web interface. At the start of the device is automatically display.

Configuration of the media player on delivery (factory configuration)

This device is a LAN (Ethernet) enabled device. Please note that an incorrect network configuration the device may affect the safe operation of the entire network and in the worst case of a network failure leads. To set up the device for a specific network, you need the key operating parameters of the network be known. The POS Line WebPoster is shipped from the factory with the following configuration:

- DHCP: on
- IP-Address: 192.168.0.1*
- Netmask: 255.255.255.0
- Hostname: WebPoster-xx-xx-xx (the last 6 bytes of the MAC address of the device)
- Login Name: Artista
- Password: Artista

*If no DHCP server is found, this IP address is assigned automatically.

Supported site formats

- HTML5
- JavaScript

Software

On the enclosed disk contains the following software and related documentation.

ADF: A program that simplifies the installation and configuration of HTML players. Connect any HTML player in the factory configuration to the network and start ADF. It displays all the HTML players in a list. Select the devices one by one and remove the network configuration.

Configuration of the media player

The configuration of the HTML player can work with any standard web browser (Firefox, Internet Explorer, Chrome, etc.) are performed. Connect the HTML player to a network and enter to establish the connection URL (eg. as IP address or network name) in the browser. Now open the WEB interface. If you are prompted for the password, enter the password (factory setting: Login name: Artista; password: Artista).

Layout of the web interface::

Configuration

Network Configuration:	The configuration of the network is the first step in setting up.
Submit Configuration:	With Submit Configuration the entries will be accepted.
Discard Changes:	With Discard Changes be deleted entries in the fields. However, this has no influence on the current configuration.
Browser Settings:	The configuration of the Web page to display is the second step of the device. Here the web page can be entered and a „Reload Interval (seconds)“ can be defined.
Submit Configuration:	With Submit Configuration the entries will be accepted.
Discard Changes:	With Discard Changes be deleted entries in the fields.
Change Password:	Here, the default password can be changed.

Information

System Information: This page contains all details about the system, such as, for example, the software version. If you contact our Support please add this page to your E-Mail to ensure a fast response.

Restart

Restart: Restart of the media player.

Display of IP address and hostname

When booting the HTML player's current IP address and the host name of the HTML player is displayed on the screen for about 5 seconds.

12. Maintenance

Systems with active cooling require cleaning of ventilation slots every 6 months. Systems with passive cooling must be cleaned every 12 months.

13. Guarantee / Service

Guarantee

Data Display Group grants a manufacturer's guarantee of two years from the date of delivery.

The rendering of guarantee claims shall neither extend nor restart the guarantee period.

During the guarantee period, Data Display Group shall repair product faults based on material or production defects. The guarantee service is executed at Data Display Group's discretion through repair, replacement of defective parts or by exchanging a product for a product of equal quality without charging the customer for material or labor.

Guarantee claims are only accepted, if Data Display Group receives notification of a defective product within the guarantee period and the product is presented to the Data Display Group Service Centre together with all information as specified in the RMA process.

Guarantee Exclusions and Limitations

This guarantee does not apply to any defect for which Data Display group is not responsible and which includes, but is not limited to the following:

- Unauthorized opening or disassembling of the product
- Faulty maintenance by non-observation of maintenance instructions
- Inappropriate storage or cleaning of the product
- Unauthorized modification of the product
- Incorrect use or misuse
- Non-observation of operating and installation instructions
- Permanent display of fixed images (causing image retention or image sticking)
- Operating the product in conditions which exceed the limitations of the specification
- Use of inappropriate boxes, packaging or modes of shipment
- Force majeure like fire, acts of war, acts of violence, chemical or biological impacts, lightning strikes, over voltage or similar events
- Fault resulting from the use of software which was not originally supplied with the product or which is incorrectly installed
- Normal wear and tear and wearing parts (i.e. LCD panel)

Mechanical damages like scratches, pressure or break points are excluded from this guarantee.

This guarantee does not include accessory parts which are not integral part of the product (as boxes, batteries).

Pixel errors only constitute a fault under the terms of this guarantee if they deviate from the product specification (i.e. ISO 9241-307 pixel failure class II).

Display Quality - Prevention of after image burn in effects

After image burn-in means that an image or part of an image (i.e. logo) remains visible on the screen even if the image on the screen is changed. This should not occur if the LCD panel is operated in normal conditions with changing content. To prevent burn-in effects please follow the following guidelines.

- Do not display fixed patterns for an extended time period of more than 12 hours.
- Power-off the monitor for 4 hours after using it for 20 hours, and for 2 hours after using it for 12 hours.
- Use the power scheme and power management of the PC.
- Use plain-colored screen savers.
- Avoid patterns with a strong difference in brightness and contrast.
- Avoid gray colors.
- Change images and logos regularly. Show animated pictures for 60 seconds after 4 hours of operation.
- The best way to protect your display is to switch the monitor off when not in use or to use screen savers.

Non-observance of these guidelines may have effects on warranty.

Guarantee Processing

Group RMA process. In order to avoid unnecessary charges, it is important to adhere to the RMA regulations.

Products must be appropriately and professionally packed for a safe return to the Data Display Group Service Centre. Products with panel sizes equal or larger than 81 cm (32") must be shipped on pallets in upright position.

Data Display Group does not assume liability for any customer data stored on products which are returned to Data Display Group.

Limitations of Liability and Benefits

With this guarantee declaration, Data Display Group exclusively guarantees that the product is free of material and manufacturing faults.

Data Display Group does not issue any other guarantee or similar statements other than this declaration.

This guarantee does not impair or affect a buyer's statutory claim against the seller due to material damage. Such claims can be asserted instead of the guarantee agreed to here at the buyer's discretion.

Mandatory legal rights and mandatory claims under the German Product liability remain unaffected.

Applicable Law and Place of Jurisdiction

The laws of the Federal Republic of Germany apply.

Place of jurisdiction is Munich.

Service addresses

Germany

Distec GmbH
Augsburger Str. 2b
D-82110 Germering
☎ +49 89 89 43 63 0
✉ support@distec.de

Great Britain

Display Technology Ltd.
5 The Oaks Business Village
Revenge Road, Lordswood
Chatham, Kent, ME5 8LF
☎ +44 16 34 67 27 55
✉ info@displaytechnology.co.uk

USA

Apollo Corp.
87 Raynor Avenue, Unit 1
Ronkonkoma NY 11779
☎ +1 631 580-4360
✉ info@apollodisplays.com

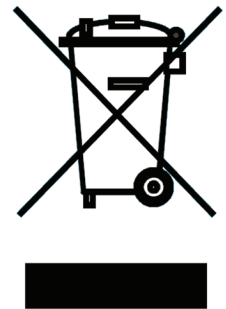
Please go to the following web address for further information about our RMA regulations and RMA forms:

[Http://www.datadisplay-group.com/service](http://www.datadisplay-group.com/service)

14. Disposal

Disposal of old devices

If the acquired Distec product is to be disposed of, must be implemented into national law the Directive 2012/19/EU.



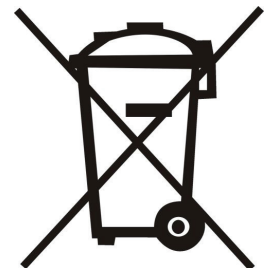
Disposal of batteries

Applicable in all countries of the EU and in countries with separate battery collection systems.

The Batteries in this product should not be disposed with other household waste. The chemical symbol Pb, CD or Hg indicate that the battery contains lead, cadmium or mercury above the reference level in EC directive 2006/66/EG.

Batteries which are not disposed correctly can cause harm environment and health.

Our environment is close to our hearts. Please help us to protect our environment and recycle empty batteries with the free battery collection system.



15. Declaration of Conformity

Declaration

Hereby the Distec GmbH declared that the unit EU is in compliance with the essential requirements and other relevant provisions of Directives 2014/30/EU and 1999/5/EG and 2011/65/EU.

The CE declaration of conformity can be found in English on the enclosed companion DVD.

FCC-Declaration of conformity

This equipment has been tested and found to comply with the limits for a Class A digital device, pursuant to Part 15 of the FCC Rules. These limits are designed to provide reasonable protection against harmful interference when the equipment is operated in a commercial environment. This equipment generates, uses and can radiate radio frequency energy and, if not installed and used in accordance with the instruction manual, may cause harmful interference to radio communications. Operation of this equipment in a residential area is likely to cause harmful interference in which case the user will be required to correct the interference at his own expense.

Canadian Department of Communications Compliance Statement

This Class A digital apparatus meets all requirements of the Canadian Interference-Causing Equipment Regulations.

Observation des normes-Class A - Cet appareil numérique de la classe B est conforme à la norme NMB-003 du Canada.

FCC Information:

- Changes or modifications not expressly approved by Distec GmbH could void the user's authority to operate the equipment.
- Use the attached specified cables with the POS-Line monitor so as not to interfere with radio and television reception.
- Please use the supplied power cord or equivalent to ensure FCC compliance.
- Please use the supplied shielded video signal cable, Mini D-SUB 15 pin to Mini D-SUB.