

---

# Datasheet

## Mitsubishi

**AA084VJ01**

MB-01-017

The information contained in this document has been carefully researched and is, to the best of our knowledge, accurate. However, we assume no liability for any product failures or damages, immediate or consequential, resulting from the use of the information provided herein. Our products are not intended for use in systems in which failures of product could result in personal injury. All trademarks mentioned herein are property of their respective owners. All specifications are subject to change without notice.

---

**TENTATIVE**

All information in this technical data sheet is tentative  
and subject to change without notice.

# 8.4" VGA

## TECHNICAL SPECIFICATION

AA084VJ01

**mitsubishi electric corporation**

Date: Mar. 8,'16

# CONTENTS

| No. | Item                                    | Page               |
|-----|---|--------------------|
| --  | COVER                                   | 1                  |
| --  | CONTENTS                                | 2                  |
| 1   | APPLICATION                             | 3                  |
| 2   | OVERVIEW                                | 4                  |
| 3   | ABSOLUTE MAXIMUM RATINGS                | 5                  |
| 4   | ELECTRICAL CHARACTERISTICS              | 5, 6, 7            |
| 5   | INTERFACE PIN CONNECTION                | 8, 9               |
| 6   | INTERFACE TIMING                        | 10, 11, 12, 13, 14 |
| 7   | BLOCK DIAGRAM                           | 15                 |
| 8   | MECHANICAL SPECIFICATION                | 16, 17             |
| 9   | OPTICAL CHARACTERISTICS                 | 18, 19, 20         |
| 10  | RELIABILITY TEST CONDITION              | 21                 |
| 11  | OTHER FEATURE                           | 22                 |
| 12  | HANDLING PRECAUTIONS FOR TFT-LCD MODULE | 23, 24, 25         |

# 1. APPLICATION

This specification applies to color TFT-LCD module, AA084VJ01.

These specification papers are the proprietary product of Mitsubishi Electric Corporation (“MITSUBISHI”) and include materials protected under copyright of MITSUBISHI. No part of this document may be reproduced in any form or by any means without the express written permission of MITSUBISHI.

MITSUBISHI does not assume any liability for infringement of patents, copyrights or other intellectual property rights of third parties by or arising from use of a product specified in this document. No license, express, implied or otherwise, is granted under any patents, copyrights or other intellectual property rights of MITSUBISHI or of others.

MITSUBISHI’s TFT-LCD module is designed and produced for “General Application” which is described as below.

<General Application>

Computers, office automation equipment, factory automation equipment, test and measurement equipment, communications, medical equipment which has no impact for human life and body, display equipment utilized in transportation system (automobiles, ships, trains, etc) which has no influence on its operation directly or indirectly.

Therefore, MITSUBISHI do not guarantee using our TFT-LCD for other application such as medical equipment, safety equipment, transportation system which might be influenced for its operation because of LCD-TFT, military systems, defense equipment, aerospace equipment, nuclear reactor control systems, and any other application in which there is a direct or indirect risk for human life and body or where high levels of reliability are required. Please confirm your application before using MITSUBISHI’s TFT-LCD.

Furthermore, it is mandatory to make contract (document base) by both parties (customer and MITSUBISHI), in case if customers intend to use our TFT-LCD for such application as military systems, defense equipment, aerospace equipment and nuclear reactor control systems, “which has significant impact for human life and body”. Otherwise, please do not use MITSUBISHI’s TFT-LCD for any cases.

MITSUBISHI has been making continuous effort to improve the reliability of its products. However customers should implement sufficient reliability design of their application equipments such as redundant system design, fail-safe functions and anti-failure features.

MITSUBISHI assumes no responsibility for any damage, including but not limited to damage to human life and body, resulting from the use of the product for the application other than the above mentioned General Application or the use of the product that does not comply with the instructions and the precautions specified in this document.

## 2. OVERVIEW

AA084VJ01 is 8.4" color TFT-LCD (Thin Film Transistor Liquid Crystal Display) module composed of LCD panel, driver ICs, control circuit, LED driver and backlight unit.

By applying 6 bit or 8 bit digital data, 640 × 480, 262k-color or 16.7M-color images are displayed on the 8.4" diagonal screen. Input power voltages are 3.3 V for LCD driving and 12.0 V for backlight unit. The type of data and control signals are digital and transmitted via LVDS interface per Typ. 25 MHz clock cycle.

This product has LED driving circuit inside. The LED driving circuit has PWM light dimming function, which is controlled by PWM.

General specifications are summarized in the following table:

| ITEM                           | SPECIFICATION  |
|--------------------------------|--|
| Display Area (mm)              | 170.9 (H) × 128.2 (V)<br>(8.4-inch diagonal)                             |
| Number of Dots                 | 640 × 3 (H) × 480 (V)  |
| Pixel Pitch (mm)               | 0.267 (H) × 0.267 (V)  |
| Color Pixel Arrangement        | RGB vertical stripe  |
| Display Mode                   | Normally white   |
| Number of Color                | 262k(6 bit/color), 16.7M(8 bit/color)                                    |
| Luminance (cd/m <sup>2</sup> ) | 800  |
| Viewing Angle (CR ≥ 10)        | -80~80°(H), -60~80°(V)   |
| Surface Treatment              | Anti-glare and hard-coating 3H   |
| Electrical Interface           | LVDS (6 bit/8 bit)   |
| Viewing Direction              | Higher Contrast ratio: 6 o'clock<br>Less gray scale reversal: 12 o'clock |
| Module Size (mm)               | 199.5 (W) × 149.0 (H) × 9.7 (D)  |
| Module Mass (g)                | 340  |
| Backlight Unit                 | LED, edge-light  |

Characteristic value without any note is typical value.

### 3. ABSOLUTE MAXIMUM RATINGS

| ITEM   | SYMBOL            | MIN. | MAX.    | UNIT |
|--|-------------------|------|---------|------|
| Power Supply Voltage for LCD                   | VCC               | -0.3 | 4.0     | V    |
| Logic Input Voltage                            | VI                | -0.3 | VCC+0.3 | V    |
| Backlight Power Supply Input Voltage           | VL                | -0.3 | 14.0    | V    |
| Backlight ON-OFF                               | BLEN              | -0.3 | 14.0    | V    |
| Light Dimming Control (PWM) Input Voltage      | V <sub>PDIM</sub> | -0.3 | 14.0    | V    |
| Operation Temperature <small>Note 1,2)</small> | T <sub>op</sub>   | -30  | 80      | °C   |
| Storage Temperature <small>Note 2)</small>     | T <sub>stg</sub>  | -30  | 80      | °C   |

[Note]

1) MIN.: Measured at the center of panel surface, MAX.: Measured at the center of panel back surface

2) Top, Tstg ≤ 40°C : 90%RH max. without condensation

Top, Tstg > 40°C : Absolute humidity shall be less than the value of 90%RH at 40°C without condensation.

### 4. ELECTRICAL CHARACTERISTICS

(1) TFT-LCD

Ambient temperature: Ta = 25°C

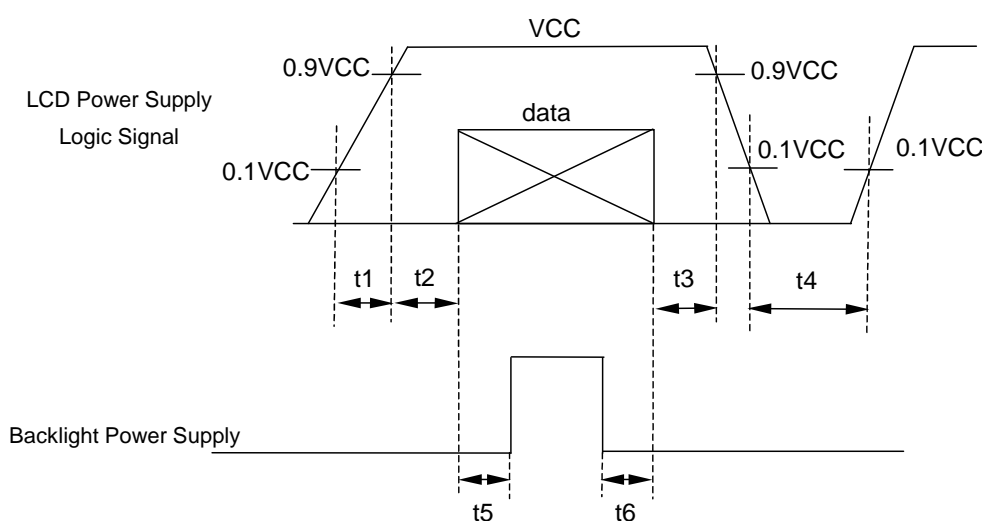
| ITEM                             | SYMBOL | MIN. | TYP.    | MAX. | UNIT    | Remarks     |
|----------------------------------|--------|------|---------|------|---------|-------------|
| Power Supply Voltages for LCD    | VCC    | 3.0  | 3.3     | 3.6  | V       | *1)         |
| Power Supply Currents for LCD    | ICC    | --   | 280     | 360  | mA      | *2)         |
| Permissible Input Ripple Voltage | VRP    | --   | --      | 100  | mVp-p   | VCC = +3.3V |
| Logic Input Voltage              | High   | VIH  | 0.8×VCC | --   | V       | MODE, SC    |
|                                  | Low    | VIL  | 0       | --   | 0.2×VCC | MODE, SC    |

\*1) Power and signals sequence:

0.1 ms ≤ t1 ≤ 10 ms      200 ms ≤ t4

0 < t2 ≤ 50 ms      200 ms ≤ t5

0 < t3 ≤ 50 ms      0 ≤ t6

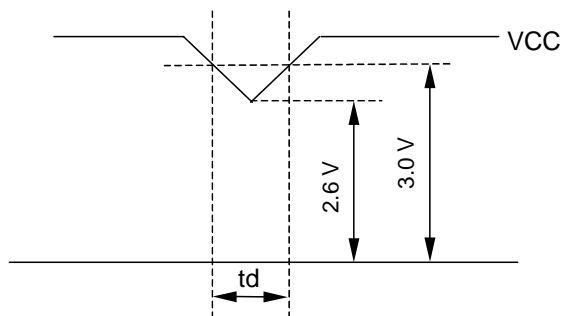


data: RGB DATA, DCLK, DENA, MODE, SC

VCC-dip conditions:

When  $VCC < 2.6\text{ V}$  or  $VCC < 3.0\text{ V}$  and  $10\text{ ms} < t_d$ , this product may not work normally.

Please reset power supply according to the power and signals sequence (see 4.(1)\*1)).



\*2)  $VCC = +3.3\text{ V}$ ,  $f_H=31.5\text{ kHz}$ ,  $f_V=60\text{ Hz}$ ,  $f_{CLK}=25\text{ MHz}$

Display image at typical power supply current value is 256-gray-bar pattern (8 bit), 480 line mode.

\*3) Fuse

| Parameter | Fuse Type Name | Supplier                  | Remark |
|-----------|----------------|---------------------------|--------|
| VCC       | FCC16162AB     | Kamaya Electric Co., Ltd. | *)     |

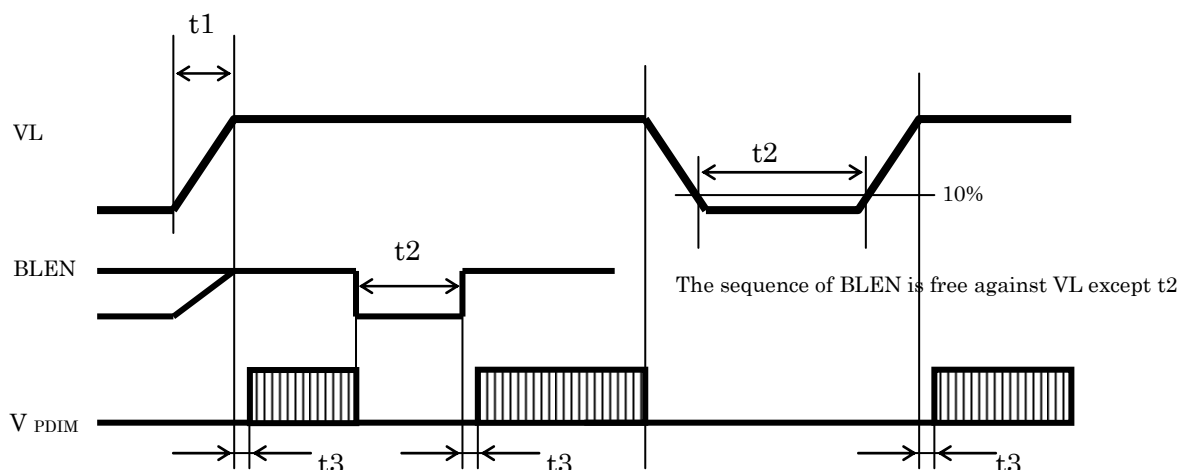
\*) The power supply capacity should be designed to be more than the fusing current.

(2) Backlight

$T_a=25^\circ\text{C}$

| ITEM                                      | SYMBOL     | MIN.       | TYP.    | MAX.  | UNIT | Remarks                  |          |
|---|------------|------------|---------|-------|------|--------------------------|----------|
| Power Supply Input Voltage                | VL         | 10.8       | 12.0    | 13.2  | V    | *1)                      |          |
| Power Supply Input Current                | IL         | --         | 250     | 300   | mA   | Dimming=100%<br>VL=12.0V |          |
| Power Supply Input Current (Rush Current) | ILR        | --         | --      | (1.0) | A    | *2), VL=12.0V            |          |
| Backlight ON-OFF                          | High       | BLEN       | 2.5     | --    | VL   | V                        | *1), ON  |
|   | Low        |            | 0       | --    | 0.4  | V                        | *1), OFF |
| Light Dimming Control (PWM) Input Voltage | High       | $V_{PDIM}$ | 2.5     | --    | 5.5  | V                        | *1), ON  |
|   | Low        |            | 0       | --    | 0.4  | V                        | *1), OFF |
| PWM frequency                             | $f_{PDIM}$ | 100        | 500     | 1000  | Hz   | *3)                      |          |
| Dimming Ratio (PWM Duty)                  | DR         | 5          | --      | 100   | %    | *3)                      |          |
| LED Life Time                             | LT         | 80,000     | 100,000 | --    | h    | *4), *5)                 |          |

\*1) Power and signals sequence:



$$0.1 \leq t_1 \leq 100 \text{ [ms]}$$

$$200 \leq t_2 \text{ [ms]}$$

$$0 \leq t_3 \text{ [ms]}$$

\*2) These data are for reference only. Power Supply Input Current (Rush Current) is influenced by power supply characteristics.(output impedance in particular) Therefore please evaluate LCD in advance.

\*3) Lower frequency causes the flicker or the image breaking of motion picture. Depending on the PDIM signal integrity (jitter etc.), the flicker may be visible. Please evaluate in advance.

\*4) LED life time is defined as the time when the brightness becomes 50% of the initial value.

\*5) The life time of the backlight depends on the ambient temperature. The life time will decrease under low/high temperature.

\*6) Fuse

| Parameter | Fuse Type Name | Supplier                  | Remark |
|-----------|----------------|---------------------------|--------|
| VL        | FCC16162AB     | Kamaya Electric Co., Ltd. | *)     |

\*) The power supply capacity should be designed to be more than the fusing current.



## 5. INTERFACE PIN CONNECTION

### (1) CN 1(Interface Signal)

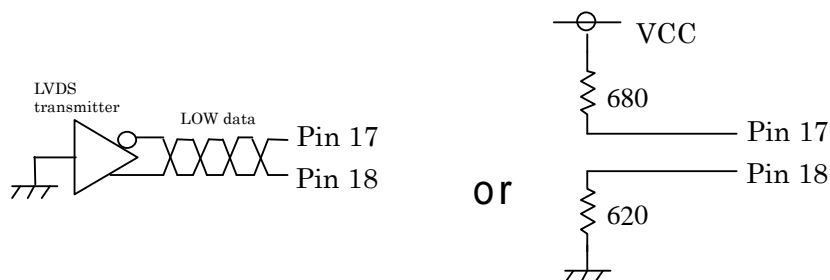
Used connector: 20186-020E-11F (I-PEX) or FI-SEB20P-HFE (JAE)

Corresponding connector: 20197-\*20U-F (I-PEX) or FI-S20S[for discrete Wire],  
FI-SE20ME[for FPC] (JAE)

| Pin No. | Symbol  | Function (ISP 6 bit compatibility mode)           |                            | Function (ISP 8 bit compatibility mode) |
|---------|---------|---|----------------------------|---|
|         |         | 6 bit input                                       | 8 bit input                |   |
| 1       | VCC     | +3.3 V Power supply                               |                            | ←                                       |
| 2       | VCC     | +3.3 V Power supply                               |                            | ←                                       |
| 3       | GND     | GND   |                            | ←                                       |
| 4       | GND     | GND   |                            | ←                                       |
| 5       | Link 0- | R0, R1, R2, R3, R4, R5, G0                        | R2, R3, R4, R5, R6, R7, G2 | R0, R1, R2, R3, R4, R5, G0              |
| 6       | Link 0+ | R0, R1, R2, R3, R4, R5, G0                        | R2, R3, R4, R5, R6, R7, G2 | R0, R1, R2, R3, R4, R5, G0              |
| 7       | GND     | GND   |                            | ←                                       |
| 8       | Link 1- | G1, G2, G3, G4, G5, B0, B1                        | G3, G4, G5, G6, G7, B2, B3 | G1, G2, G3, G4, G5, B0, B1              |
| 9       | Link 1+ | G1, G2, G3, G4, G5, B0, B1                        | G3, G4, G5, G6, G7, B2, B3 | G1, G2, G3, G4, G5, B0, B1              |
| 10      | GND     | GND   |                            | ←                                       |
| 11      | Link 2- | B2, B3, B4, B5, DENA                              | B4, B5, B6, B7, DENA       | B2, B3, B4, B5, DENA                    |
| 12      | Link 2+ | B2, B3, B4, B5, DENA                              | B4, B5, B6, B7, DENA       | B2, B3, B4, B5, DENA                    |
| 13      | GND     | GND   |                            | ←                                       |
| 14      | CLKIN-  | Clock -   |                            | ←                                       |
| 15      | CLKIN+  | Clock +   |                            | ←                                       |
| 16      | GND     | GND   |                            | ←                                       |
| 17      | Link3-  | See: *2)  | R0, R1, G0, G1, B0, B1     | R6, R7, G6, G7, B6, B7                  |
| 18      | Link3+  | See: *2)  | R0, R1, G0, G1, B0, B1     | R6, R7, G6, G7, B6, B7                  |
| 19      | MODE    | Low=ISP 6 bit compatibility mode                  |                            | High=ISP<br>8 bit compatibility mode    |
| 20      | SC      | Scan direction control (Low=Normal, High=Reverse) |                            |   |

\*1) Metal frame is connected to signal GND.

\*2) Recommended wiring of Pin 17,18 (6 bit input)



### (2) CN 2(Backlight)

Backlight-side connector: FI-S6P-HFE (JAE)

Corresponding connector: FI-S6S (JAE)

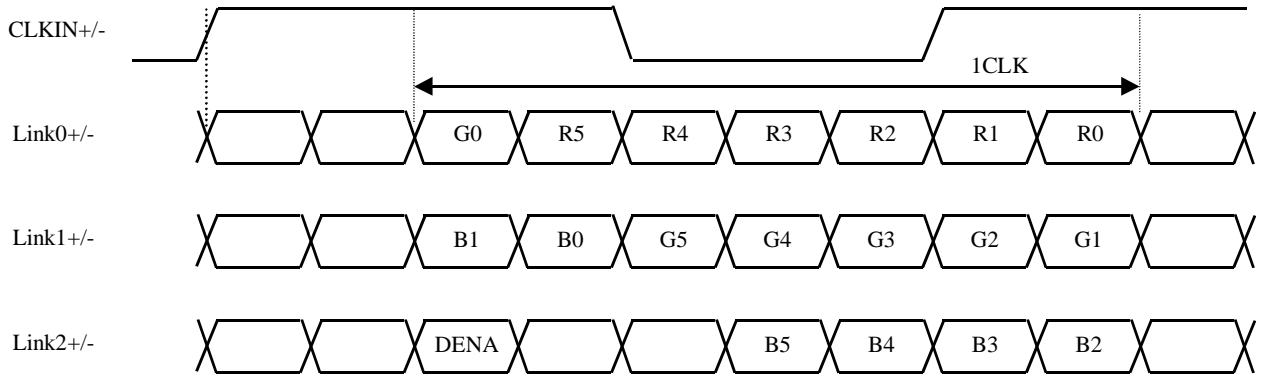
| Pin No. | Symbol            | Function   |
|---------|-------------------|--|
| 1       | VL                | Power Supply Input Voltage                                 |
| 2       | VL                | Power Supply Input Voltage                                 |
| 3       | GND               | GND  |
| 4       | GND               | GND  |
| 5       | BLEN              | Backlight ON-OFF<br>(High: ON, Low: OFF)                   |
| 6       | V <sub>PDIM</sub> | Light Dimming Control (PWM) Input Voltage<br>(High active) |

\*1) GND is connected GND (of CN1) and the LCD frame internally.

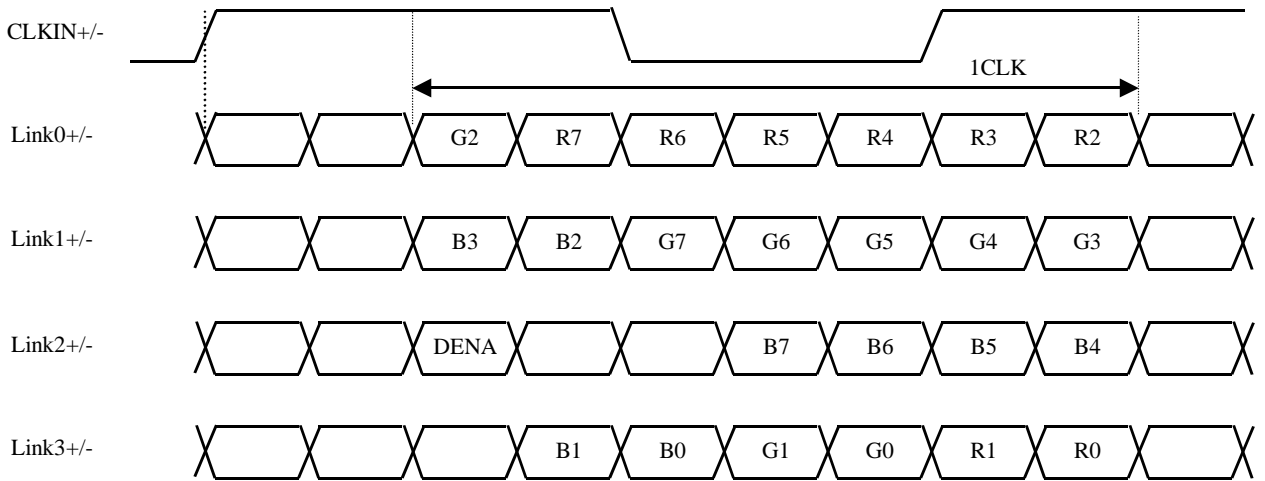
\*2) BLEN is NOT designed for dimming.

### (3) ISP data mapping

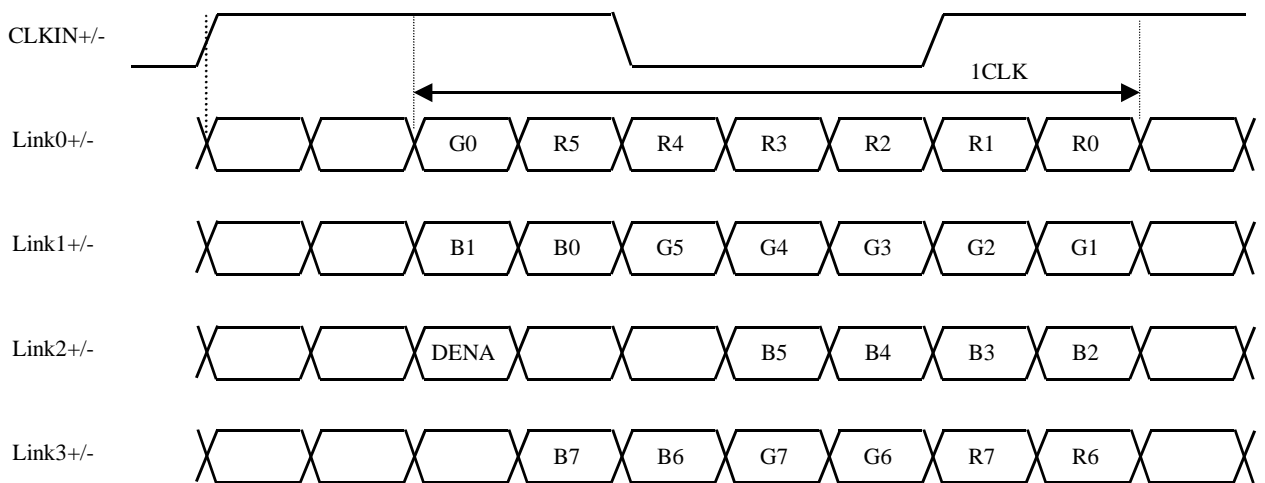
#### a. ISP 6 bit compatibility mode(6 bit input)



#### b. ISP 6 bit compatibility mode(8 bit input)



#### c. ISP 8 bit compatibility mode



## 6. INTERFACE TIMING

LVDS transmitter input signal

### (1) Timing Specifications

| ITEM |            | SYMBOL           | MIN             | TYP  | MAX  | UNIT |                  |
|------|------------|------------------|-----------------|------|------|------|------------------|
| DCLK | Frequency  | f <sub>CLK</sub> | 20              | 25   | 30   | MHz  |                  |
|      | Period     | t <sub>CLK</sub> | 33.3            | 40   | 50   | ns   |                  |
| DENA | Horizontal | Active Time      | t <sub>HA</sub> | 640  | 640  | 640  | t <sub>CLK</sub> |
|      |            | Blanking Time    | t <sub>HB</sub> | 20   | 160  | --   | t <sub>CLK</sub> |
|      |            | Frequency        | f <sub>H</sub>  | 27   | 31.5 | 38   | kHz              |
|      |            | Period           | t <sub>H</sub>  | 26.3 | 31.7 | 37.0 | μs               |
|      | Vertical   | Active Time      | t <sub>VA</sub> | 480  | 480  | 480  | t <sub>H</sub>   |
|      |            | Blanking Time    | t <sub>VB</sub> | 3    | 45   | --   | t <sub>H</sub>   |
|      |            | Frequency        | f <sub>V</sub>  | 55   | 60   | 70   | Hz               |
|      |            | Period           | t <sub>V</sub>  | 14.3 | 16.7 | 18.2 | ms               |

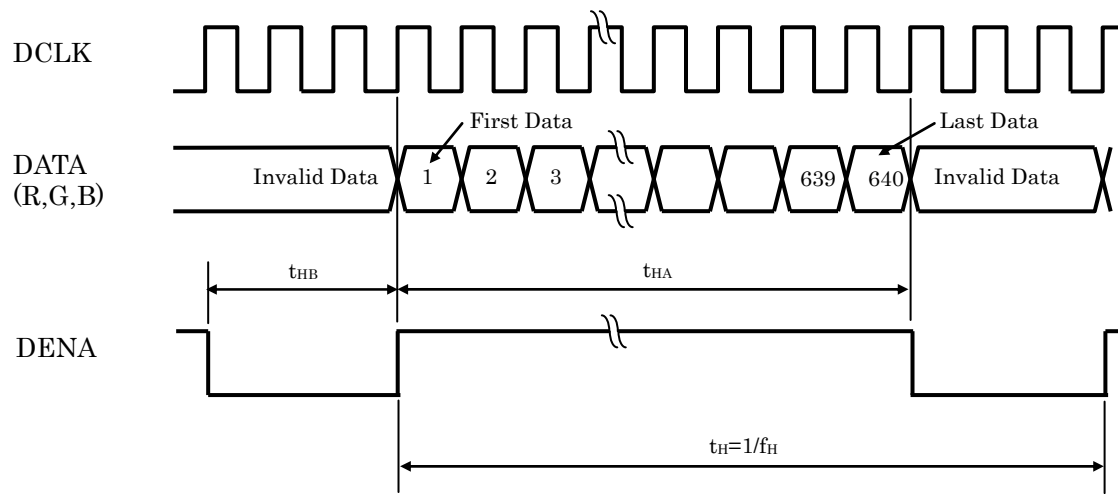
[Note]

- 1) DENA (Data Enable) should always be positive polarity as shown in the timing specification.
- 2) DCLK should appear during all invalid period.
- 3) LVDS timing follows the timing specifications of LVDS receiver IC: THC63LVDF84B(Thine).
- 4) In case of blanking time fluctuation, please satisfy following condition.

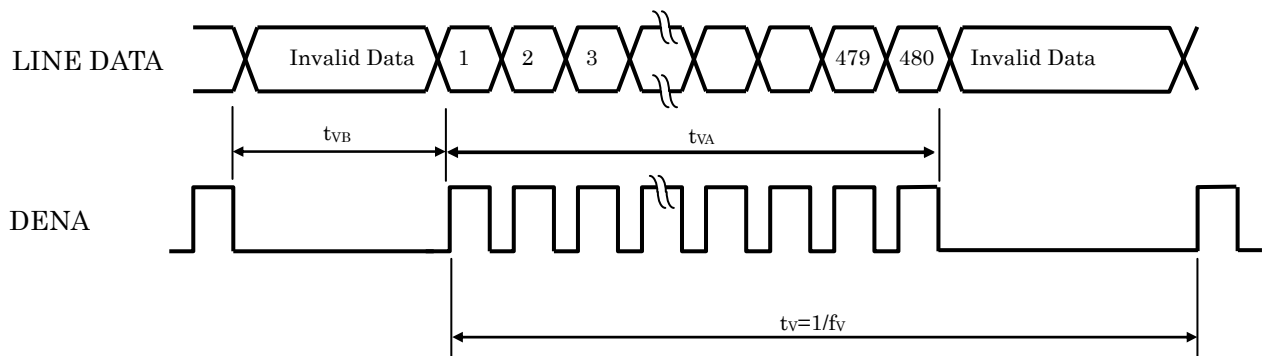
$$t_{VBn} > t_{VBn-1} - 3(t_H)$$

## (2) Timing Chart

### a. Horizontal Timing Chart



### b. Vertical Timing Chart



(3) Color Data Assignment

a. 6 bit input

| COLOR          |           | INPUT DATA |    |    |    |    |     |        |    |    |    |    |     |        |    |    |    |    |     |
|----------------|-----------|------------|----|----|----|----|-----|--------|----|----|----|----|-----|--------|----|----|----|----|-----|
|                |           | R DATA     |    |    |    |    |     | G DATA |    |    |    |    |     | B DATA |    |    |    |    |     |
|                |           | R5         | R4 | R3 | R2 | R1 | R0  | G5     | G4 | G3 | G2 | G1 | G0  | B5     | B4 | B3 | B2 | B1 | B0  |
|                |           | MSB        |    |    |    |    | LSB | MSB    |    |    |    |    | LSB | MSB    |    |    |    |    | LSB |
| BASIC<br>COLOR | BLACK     | 0          | 0  | 0  | 0  | 0  | 0   | 0      | 0  | 0  | 0  | 0  | 0   | 0      | 0  | 0  | 0  | 0  | 0   |
|                | RED(63)   | 1          | 1  | 1  | 1  | 1  | 1   | 0      | 0  | 0  | 0  | 0  | 0   | 0      | 0  | 0  | 0  | 0  | 0   |
|                | GREEN(63) | 0          | 0  | 0  | 0  | 0  | 0   | 1      | 1  | 1  | 1  | 1  | 1   | 0      | 0  | 0  | 0  | 0  | 0   |
|                | BLUE(63)  | 0          | 0  | 0  | 0  | 0  | 0   | 0      | 0  | 0  | 0  | 0  | 0   | 1      | 1  | 1  | 1  | 1  | 1   |
|                | CYAN      | 0          | 0  | 0  | 0  | 0  | 0   | 1      | 1  | 1  | 1  | 1  | 1   | 1      | 1  | 1  | 1  | 1  | 1   |
|                | MAGENTA   | 1          | 1  | 1  | 1  | 1  | 1   | 0      | 0  | 0  | 0  | 0  | 0   | 1      | 1  | 1  | 1  | 1  | 1   |
|                | YELLOW    | 1          | 1  | 1  | 1  | 1  | 1   | 1      | 1  | 1  | 1  | 1  | 1   | 0      | 0  | 0  | 0  | 0  | 0   |
|                | WHITE     | 1          | 1  | 1  | 1  | 1  | 1   | 1      | 1  | 1  | 1  | 1  | 1   | 1      | 1  | 1  | 1  | 1  | 1   |
| RED            | RED(1)    | 0          | 0  | 0  | 0  | 0  | 1   | 0      | 0  | 0  | 0  | 0  | 0   | 0      | 0  | 0  | 0  | 0  | 0   |
|                | RED(2)    | 0          | 0  | 0  | 0  | 1  | 0   | 0      | 0  | 0  | 0  | 0  | 0   | 0      | 0  | 0  | 0  | 0  | 0   |
|                |           |            |    |    |    |    |     |        |    |    |    |    |     |        |    |    |    |    |     |
|                | RED(62)   | 1          | 1  | 1  | 1  | 1  | 0   | 0      | 0  | 0  | 0  | 0  | 0   | 0      | 0  | 0  | 0  | 0  | 0   |
|                | RED(63)   | 1          | 1  | 1  | 1  | 1  | 1   | 0      | 0  | 0  | 0  | 0  | 0   | 0      | 0  | 0  | 0  | 0  | 0   |
| GREEN          | GREEN(1)  | 0          | 0  | 0  | 0  | 0  | 0   | 0      | 0  | 0  | 0  | 0  | 1   | 0      | 0  | 0  | 0  | 0  | 0   |
|                | GREEN(2)  | 0          | 0  | 0  | 0  | 0  | 0   | 0      | 0  | 0  | 0  | 1  | 0   | 0      | 0  | 0  | 0  | 0  | 0   |
|                |           |            |    |    |    |    |     |        |    |    |    |    |     |        |    |    |    |    |     |
|                | GREEN(62) | 0          | 0  | 0  | 0  | 0  | 0   | 1      | 1  | 1  | 1  | 1  | 0   | 0      | 0  | 0  | 0  | 0  | 0   |
|                | GREEN(63) | 0          | 0  | 0  | 0  | 0  | 0   | 1      | 1  | 1  | 1  | 1  | 1   | 0      | 0  | 0  | 0  | 0  | 0   |
| BLUE           | BLUE(1)   | 0          | 0  | 0  | 0  | 0  | 0   | 0      | 0  | 0  | 0  | 0  | 0   | 0      | 0  | 0  | 0  | 0  | 1   |
|                | BLUE(2)   | 0          | 0  | 0  | 0  | 0  | 0   | 0      | 0  | 0  | 0  | 0  | 0   | 0      | 0  | 0  | 0  | 1  | 0   |
|                |           |            |    |    |    |    |     |        |    |    |    |    |     |        |    |    |    |    |     |
|                | BLUE(62)  | 0          | 0  | 0  | 0  | 0  | 0   | 0      | 0  | 0  | 0  | 0  | 0   | 1      | 1  | 1  | 1  | 1  | 0   |
|                | BLUE(63)  | 0          | 0  | 0  | 0  | 0  | 0   | 0      | 0  | 0  | 0  | 0  | 0   | 1      | 1  | 1  | 1  | 1  | 1   |

[Note]

- 1) Definition of gray scale  
Color (n) --- n indicates gray scale level.  
Higher n means brighter level.

- 2) Data  
1:High, 0: Low

b. 8 bit input

| COLOR          |            | INPUT DATA |    |    |    |     |    |    |    |        |    |    |    |     |    |    |    |        |    |    |    |     |    |    |    |
|----------------|------------|------------|----|----|----|-----|----|----|----|--------|----|----|----|-----|----|----|----|--------|----|----|----|-----|----|----|----|
|                |            | R DATA     |    |    |    |     |    |    |    | G DATA |    |    |    |     |    |    |    | B DATA |    |    |    |     |    |    |    |
|                |            | R7         | R6 | R5 | R4 | R3  | R2 | R1 | R0 | G7     | G6 | G5 | G4 | G3  | G2 | G1 | G0 | B7     | B6 | B5 | B4 | B3  | B2 | B1 | B0 |
|                |            | MSB        |    |    |    | LSB |    |    |    | MSB    |    |    |    | LSB |    |    |    | MSB    |    |    |    | LSB |    |    |    |
| BASIC<br>COLOR | BLACK      | 0          | 0  | 0  | 0  | 0   | 0  | 0  | 0  | 0      | 0  | 0  | 0  | 0   | 0  | 0  | 0  | 0      | 0  | 0  | 0  | 0   | 0  | 0  | 0  |
|                | RED(255)   | 1          | 1  | 1  | 1  | 1   | 1  | 1  | 1  | 0      | 0  | 0  | 0  | 0   | 0  | 0  | 0  | 0      | 0  | 0  | 0  | 0   | 0  | 0  | 0  |
|                | GREEN(255) | 0          | 0  | 0  | 0  | 0   | 0  | 0  | 0  | 1      | 1  | 1  | 1  | 1   | 1  | 1  | 1  | 0      | 0  | 0  | 0  | 0   | 0  | 0  | 0  |
|                | BLUE(255)  | 0          | 0  | 0  | 0  | 0   | 0  | 0  | 0  | 0      | 0  | 0  | 0  | 0   | 0  | 0  | 0  | 1      | 1  | 1  | 1  | 1   | 1  | 1  | 1  |
|                | CYAN       | 0          | 0  | 0  | 0  | 0   | 0  | 0  | 0  | 1      | 1  | 1  | 1  | 1   | 1  | 1  | 1  | 1      | 1  | 1  | 1  | 1   | 1  | 1  | 1  |
|                | MAGENTA    | 1          | 1  | 1  | 1  | 1   | 1  | 1  | 1  | 0      | 0  | 0  | 0  | 0   | 0  | 0  | 0  | 1      | 1  | 1  | 1  | 1   | 1  | 1  | 1  |
|                | YELLOW     | 1          | 1  | 1  | 1  | 1   | 1  | 1  | 1  | 1      | 1  | 1  | 1  | 1   | 1  | 1  | 1  | 0      | 0  | 0  | 0  | 0   | 0  | 0  | 0  |
|                | WHITE      | 1          | 1  | 1  | 1  | 1   | 1  | 1  | 1  | 1      | 1  | 1  | 1  | 1   | 1  | 1  | 1  | 1      | 1  | 1  | 1  | 1   | 1  | 1  | 1  |
| RED            | RED(1)     | 0          | 0  | 0  | 0  | 0   | 0  | 0  | 1  | 0      | 0  | 0  | 0  | 0   | 0  | 0  | 0  | 0      | 0  | 0  | 0  | 0   | 0  | 0  | 0  |
|                | RED(2)     | 0          | 0  | 0  | 0  | 0   | 0  | 1  | 0  | 0      | 0  | 0  | 0  | 0   | 0  | 0  | 0  | 0      | 0  | 0  | 0  | 0   | 0  | 0  | 0  |
|                |            |            |    |    |    |     |    |    |    |        |    |    |    |     |    |    |    |        |    |    |    |     |    |    |    |
|                |            |            |    |    |    |     |    |    |    |        |    |    |    |     |    |    |    |        |    |    |    |     |    |    |    |
|                | RED(255)   | 1          | 1  | 1  | 1  | 1   | 1  | 1  | 1  | 0      | 0  | 0  | 0  | 0   | 0  | 0  | 0  | 0      | 0  | 0  | 0  | 0   | 0  | 0  | 0  |
| GREEN          | GREEN(1)   | 0          | 0  | 0  | 0  | 0   | 0  | 0  | 0  | 0      | 0  | 0  | 0  | 0   | 0  | 0  | 1  | 0      | 0  | 0  | 0  | 0   | 0  | 0  | 0  |
|                | GREEN(2)   | 0          | 0  | 0  | 0  | 0   | 0  | 0  | 0  | 0      | 0  | 0  | 0  | 0   | 0  | 1  | 0  | 0      | 0  | 0  | 0  | 0   | 0  | 0  | 0  |
|                |            |            |    |    |    |     |    |    |    |        |    |    |    |     |    |    |    |        |    |    |    |     |    |    |    |
|                |            |            |    |    |    |     |    |    |    |        |    |    |    |     |    |    |    |        |    |    |    |     |    |    |    |
|                | GREEN(255) | 0          | 0  | 0  | 0  | 0   | 0  | 0  | 0  | 1      | 1  | 1  | 1  | 1   | 1  | 1  | 1  | 0      | 0  | 0  | 0  | 0   | 0  | 0  | 0  |
| BLUE           | BLUE(1)    | 0          | 0  | 0  | 0  | 0   | 0  | 0  | 0  | 0      | 0  | 0  | 0  | 0   | 0  | 0  | 0  | 0      | 0  | 0  | 0  | 0   | 0  | 0  | 1  |
|                | BLUE(2)    | 0          | 0  | 0  | 0  | 0   | 0  | 0  | 0  | 0      | 0  | 0  | 0  | 0   | 0  | 0  | 0  | 0      | 0  | 0  | 0  | 0   | 0  | 1  | 0  |
|                |            |            |    |    |    |     |    |    |    |        |    |    |    |     |    |    |    |        |    |    |    |     |    |    |    |
|                |            |            |    |    |    |     |    |    |    |        |    |    |    |     |    |    |    |        |    |    |    |     |    |    |    |
|                | BLUE(255)  | 0          | 0  | 0  | 0  | 0   | 0  | 0  | 0  | 0      | 0  | 0  | 0  | 0   | 0  | 0  | 0  | 1      | 1  | 1  | 1  | 1   | 1  | 1  | 1  |

[Note]

1) Definition of gray scale

Color (n) --- n indicates gray scale level.  
Higher n means brighter level.

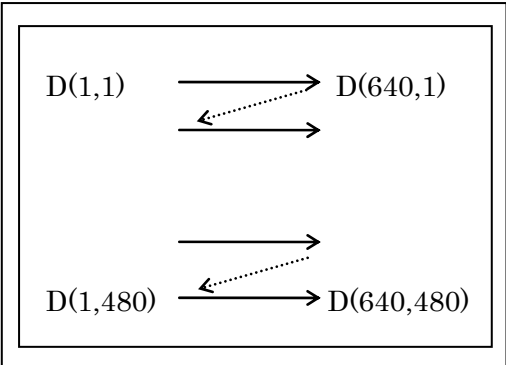
2) Data

1: High, 0: Low

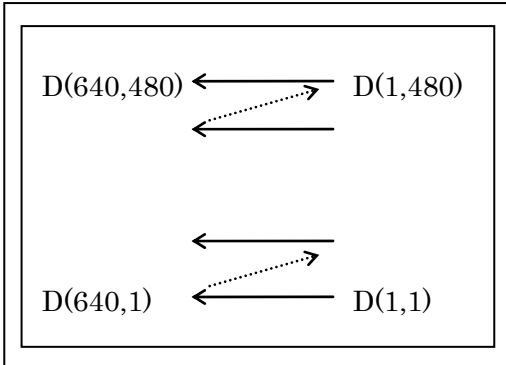
(4) Display Position and Scan Direction

D(X,Y) shows the data number of input signal.

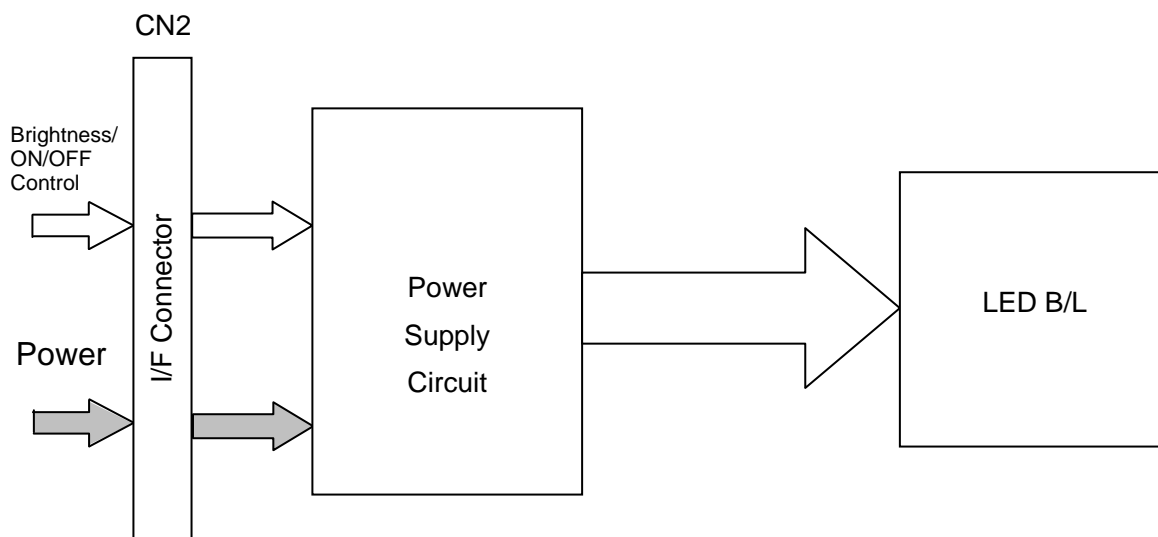
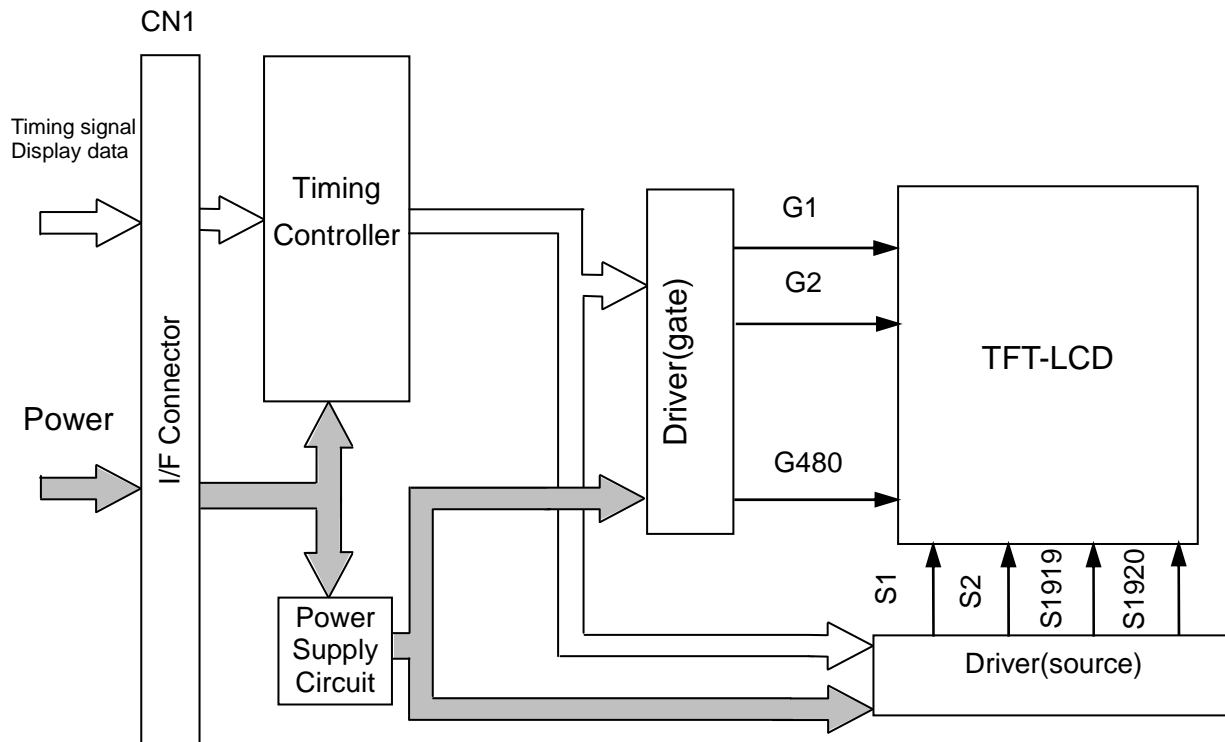
SC: Low



SC: High



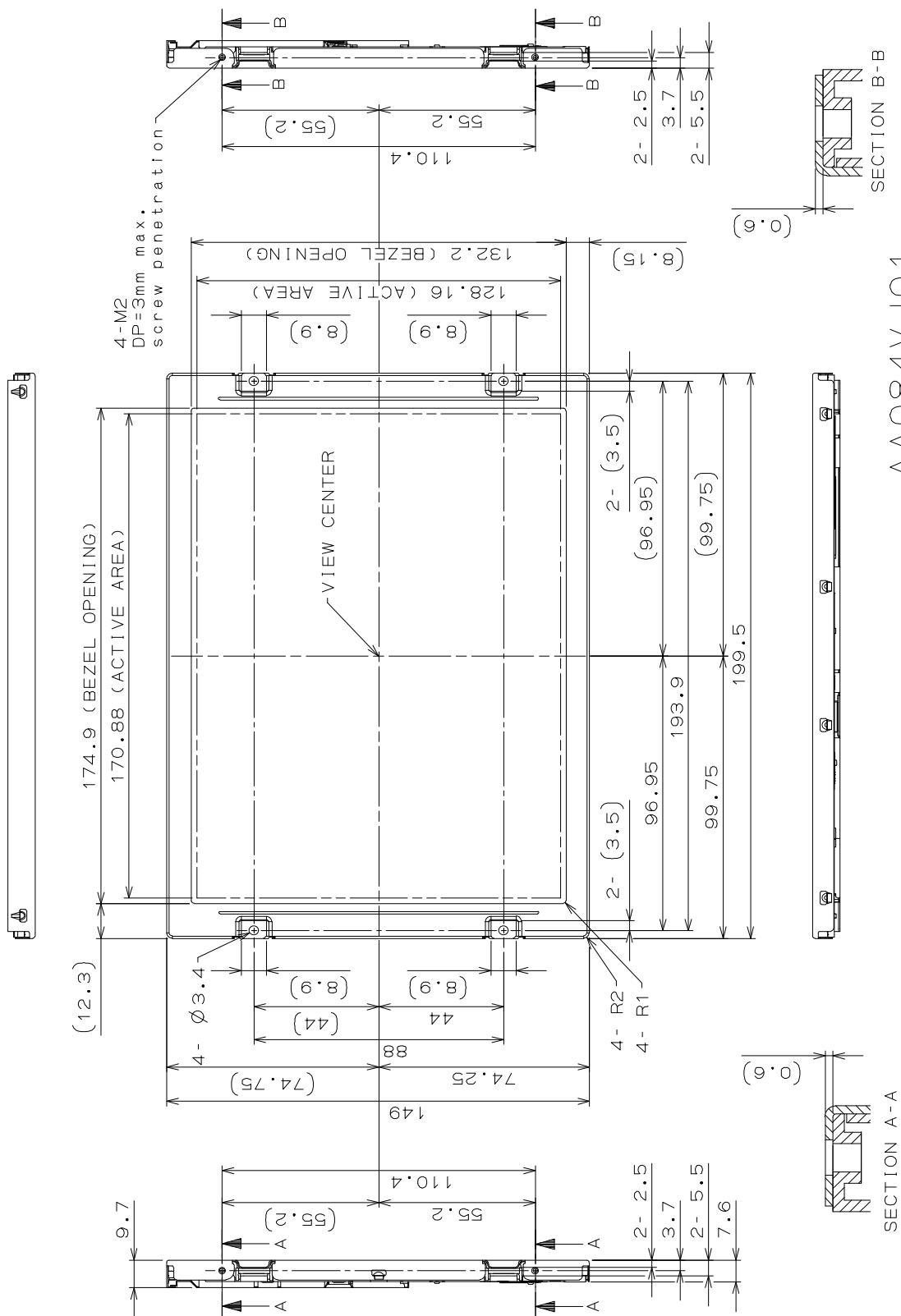
## 7. BLOCK DIAGRAM





# 8. MECHANICAL SPECIFICATIONS

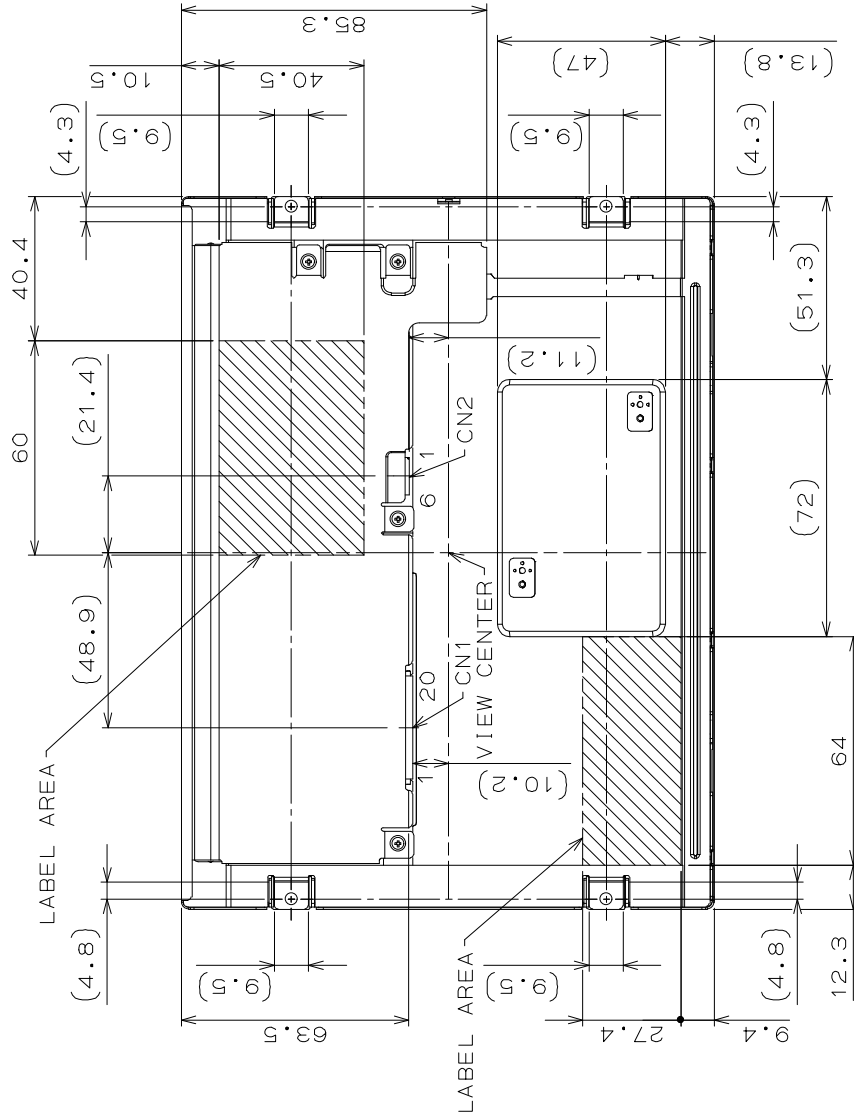
(1) Front Side



1) Tolerance is  $\pm 0.5$ mm unless noted.  
 2) Third angle projection

(Unit: mm)

(2) Rear Side



AA084VJ01

- 1) Tolerance is  $\pm 0.5\text{mm}$  unless noted.
- 2) Third angle projection

CN1: 20186-020E-11F (I-PEX) or FI-SEB20P-HFE (JAE)  
 CN2: FI-S6P-HFE (JAE)

(Unit:mm)

## 9. OPTICAL CHARACTERISTICS

Ta=25°C, VCC=3.3V, VL=12.0V, Input Signals: Typ. values shown in Section 6

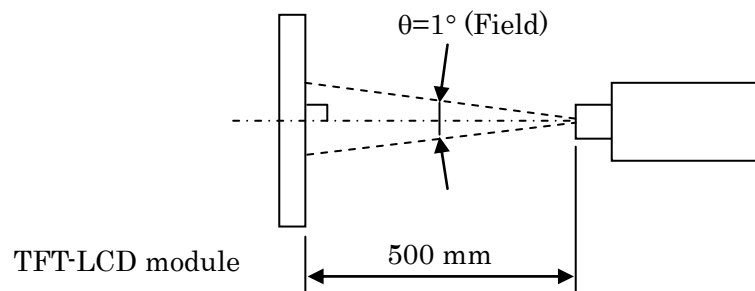
| ITEM                 | SYMBOL      | CONDITION                            | MIN                                  | TYP    | MAX    | UNIT              | Remarks   |        |
|----------------------|-------------|--------------------------------------|--------------------------------------|--------|--------|-------------------|-----------|--------|
| Contrast Ratio       | CR          | $\theta_V=0^\circ, \theta_H=0^\circ$ | 520                                  | 800    | --     | --                | *1)*2)*5) |        |
| Luminance            | Lw          | $\theta_V=0^\circ, \theta_H=0^\circ$ | 640                                  | 800    | --     | cd/m <sup>2</sup> | *1)*5)    |        |
| Luminance Uniformity | $\Delta Lw$ | $\theta_V=0^\circ, \theta_H=0^\circ$ | --                                   | --     | 30     | %                 | *1)*3)*5) |        |
| Response Time        | tr          | $\theta_V=0^\circ, \theta_H=0^\circ$ | --                                   | 4      | --     | ms                | *1)*4)*5) |        |
|                      | tf          | $\theta_V=0^\circ, \theta_H=0^\circ$ | --                                   | 12     | --     | ms                | *1)*4)*5) |        |
| Viewing Angle        | Horizontal  | $\theta_H$                           | CR $\geq$ 10                         | -65~65 | -80~80 | --                | °         | *1)*5) |
|                      | Vertical    | $\theta_V$                           |                                      | -45~65 | -60~80 | --                | °         | *1)*5) |
| Image sticking       | tis         | 2 h                                  | --                                   | --     | 2      | s                 | *6)       |        |
| Color Coordinates    | Red         | Rx                                   | $\theta_V=0^\circ, \theta_H=0^\circ$ | 0.495  | 0.535  | 0.575             | --        | *1)*5) |
|                      |             | Ry                                   |                                      | 0.288  | 0.328  | 0.368             |           |        |
|                      | Green       | Gx                                   |                                      | 0.303  | 0.343  | 0.383             |           |        |
|                      |             | Gy                                   |                                      | 0.499  | 0.539  | 0.579             |           |        |
|                      | Blue        | Bx                                   |                                      | 0.118  | 0.158  | 0.198             |           |        |
|                      |             | By                                   |                                      | 0.081  | 0.121  | 0.161             |           |        |
|                      | White       | Wx                                   |                                      | 0.273  | 0.313  | 0.353             |           |        |
|                      |             | Wy                                   |                                      | 0.289  | 0.329  | 0.369             |           |        |

[Note]

These items are measured using EZContrast XL88F(ELDIM) for viewing angle, RD-80SA(TOPCON) for response time and CS-2000 (KONICA MINOLTA) or equivalent equipment for others under the dark room condition (no ambient light) after more than 30 minutes from turning on the backlight unless noted.

Condition:  $V_{PDIM} = 2.5\text{ V} \sim 5.5\text{ V}$  (DUTY = 100%)

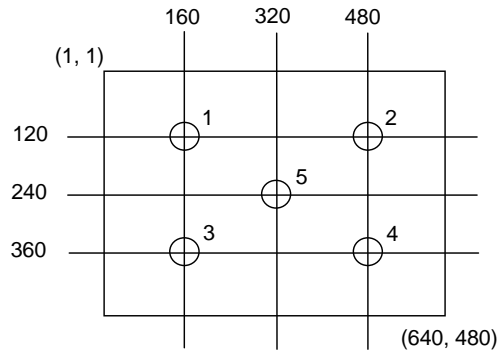
Measurement method for luminance and color coordinates is as follows.



The luminance is measured according to FLAT PANEL DISPLAY MEASUREMENTS STANDARD (VESA Standard).

\*1) Measurement Point

Contrast Ratio, Luminance, Response Time, Viewing Angle, Color Coordinates: Display Center  
 Luminance Uniformity: point 1~5 shown in a figure below



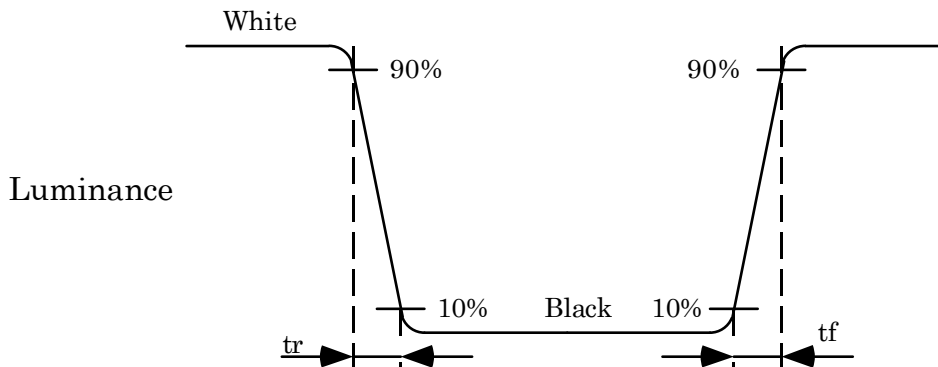
\*2) Definition of Contrast Ratio

CR= Luminance with all white pixels / Luminance with all black pixels

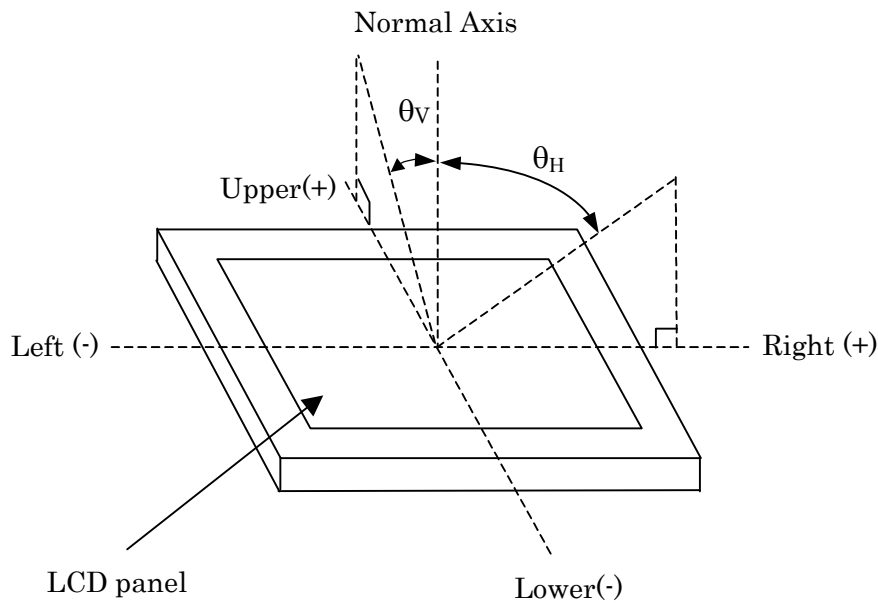
\*3) Definition of Luminance Uniformity

$$\Delta L_w = [L_w(\text{MAX}) / L_w(\text{MIN}) - 1] \times 100$$

\*4) Definition of Response Time

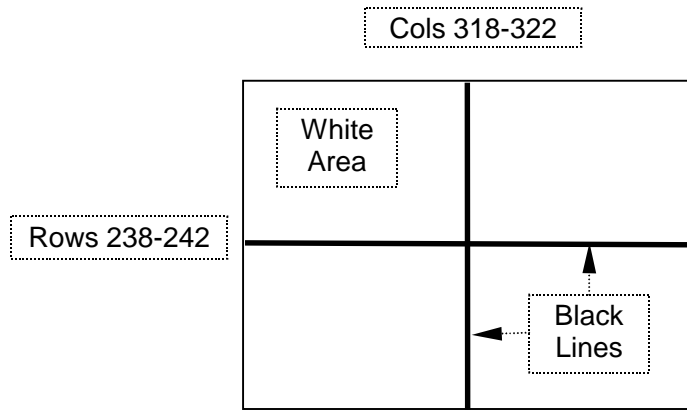


\*5) Definition of Viewing Angle ( $\theta_v$ ,  $\theta_H$ )



\*6) Image sticking:

Continuously display the test pattern shown in the figure below for two-hours. Then display a completely white screen. The previous image shall not persist more than two seconds at 25°C.



TEST PATTERN FOR IMAGE STICKING TEST

## 10. RELIABILITY TEST CONDITION

### (1) Temperature and Humidity

| ITEM  | CONDITIONS                              |
|---|---|
| HIGH TEMPERATURE<br>HIGH HUMIDITY OPERATION | 40°C, 90%RH, 240 h<br>(No condensation) |
| HIGH TEMPERATURE OPERATION                  | 80°C, 240 h                             |
| LOW TEMPERATURE OPERATION                   | -30°C, 240 h                            |
| HIGH TEMPERATURE STORAGE                    | 80°C, 240 h                             |
| LOW TEMPERATURE STORAGE                     | -30°C, 240 h                            |
| THERMAL SHOCK (NON-OPERATION)               | -30°C (1h) ~ 80°C(1h),<br>100 cycles    |

### (2) Shock & Vibration

| ITEM                         | CONDITIONS   |
|------------------------------|--|
| SHOCK<br>(NON-OPERATION)     | Shock level: 1470 m/s <sup>2</sup> (150G)<br>Waveform: half sinusoidal wave, 2 ms<br>Number of shocks: one shock input in each direction of three mutually perpendicular axes for a total of six shock inputs  |
| VIBRATION<br>(NON-OPERATION) | Vibration level: 9.8 m/s <sup>2</sup> (1.0G)<br>Waveform: sinusoidal<br>Frequency range: 5 to 500 Hz<br>Frequency sweep rate: 0.5 octave /min<br>Duration: one sweep from 5 to 500 Hz in each of three mutually perpendicular axis(each x,y,z axis: 1 hour, total 3 hours) |

### (3) ESD Test

| ITEM                                    | CONDITIONS                                    |
|---|---|
| CONTACT DISCHARGE<br>(OPERATION)        | 150pF, 330Ω, ±8kV, 10 times at 1 sec interval |
| SIGNAL PIN DISCHARGE<br>(NON-OPERATION) | 200pF, 0Ω, ±200V, 10 times at 1 sec interval  |

### (4) Judgment standard

The judgment of the above tests should be made as follow:

Pass: Normal display image, no damage of the display function. (ex. no line defect)

Partial transformation of the module parts should be ignored.

Fail: No display image, damage of the display function. (ex. line defect)

## 11. OTHER FEATURE

(1) Environmental Restriction /Law Compliance

This LCD module complies with RoHS\*) directive.

\*) RoHS: Restriction of the use of certain hazardous substances in electrical and electronic equipment

(2) Safety Standard Authorization

UL1950 Recognized (UL File# E158720)

(3) Warranty Period

26 months after shipment

## 12. HANDLING PRECAUTIONS FOR TFT-LCD MODULE

Please pay attention to the followings in handling TFT-LCD products:

### (1) ASSEMBLY PRECAUTION

- a. Please mount the LCD module by using mounting hole with a screw clamping torque (recommended value: 0.5 Nm for mounting tab on front, 0.2Nm for mounting screw hole on LCD sides). Please do not bend or wrench the LCD module in assembling. Please do not drop, bend or twist the LCD module in handling.
- b. Please design display housing in accordance with the following guide lines.
  - (a) Housing case must be designed carefully so as not to put stress on LCD and not to wrench module. If customer uses compression mounting, please evaluate housing case with LCD carefully to avoid image quality issue caused by mechanical stress.
  - (b) Under high temperature environment, performance and life time of LED may heavily shorten. When you design with our LCD product, please consider radiating heat and ventilation for good heat management.
  - (c) Keep sufficient clearance between LCD module back surface and housing when the LCD module is mounted. Approximately 1.0mm of the clearance in the design is recommended taking into account the tolerance of LCD module thickness and mounting structure height on the housing.
  - (d) When some parts, such as, FPC cable and ferrite plate, are installed underneath the LCD module, still sufficient clearance is required, such as 0.5mm. This clearance is, especially, to be reconsidered when the additional parts are implemented for EMI countermeasure.
  - (e) Keep sufficient clearance between LCD module and the others parts, such as inverter and speaker so as not to interfere the LCD module. Approximately 1.0 mm of the clearance in the design is recommended.
  - (f) To avoid local elevation/decrease of temperature, considering location of heating element, heat release, thermal design should be done.
- c. Please do not push or scratch LCD panel surface with anything hard. And do not soil LCD panel surface by touching with bare hands. (Polarizer film, surface of LCD panel is easy to be flawed.)
- d. Do not use or store the product under a condition where the product will be exposed to water, organic solution or acid.
- e. Please wipe off LCD panel surface with absorbent cotton or soft cloth in case of it being soiled.
- f. Please wipe off drops of adhesives like saliva and water on LCD panel surface immediately. They might damage to cause panel surface variation and color change.
- g. Please do not take a LCD module to pieces and reconstruct it. Resolving and reconstructing modules may cause them not to work well.
- h. Please do not touch metal frames with bare hands and soiled gloves. A color change of the metal frames can happen during a long preservation of soiled LCD modules.



- i. Please handle metal frame carefully because edge of metal frame is very sharp.
- j. Please connect the metal frame of LCD module to GND in order to minimize the effect of external noise and EMI.
- k. Be sure to connect the cables and the connectors correctly.

## **(2) OPERATING PRECAUTIONS**

- a. Please be sure to turn off the power supply before connecting and disconnecting signal input cable.
- b. Please do not change variable resistance settings in LCD module. They are adjusted to the most suitable value. If they are changed, it might happen LCD does not satisfy the characteristics specification.
- c. The interface signal speed is very high. Please pay attention to transmission line design and other high speed signal precautions to satisfy signal specification.
- d. Condensation might happen on the surface and inside of LCD module in case of sudden change of ambient temperature. Please take care so as not to cause any damage mentioned on (1)-e.
- e. Please pay attention not to display the same pattern for very long time. Image sticking might happen on LCD. Although image sticking may disappear as the operation time proceeds, screen saver function is recommended not to cause image sticking.
- f. Please obey the same safe instructions as ones being prepared for ordinary electronic products.

## **(3) PRECAUTIONS WITH ELECTROSTATICS**

- a. This LCD module use CMOS-IC on circuit board and TFT-LCD panel, and so it is easy to be affected by electrostatics. Please be careful with electrostatics by the way of your body connecting to the ground and so on.
- b. Please remove protection film very slowly from the surface of LCD module to prevent from electrostatics occurrence.

## **(4) STORAGE PRECAUTIONS**

LCD should be stored in the room temperature environment with normal humidity. The LCD inventory should be processed by first-in first-out method.

## **(5) SAFETY PRECAUTIONS**

- a. When you waste damaged or unnecessary LCDs, it is recommended to crush LCDs into pieces and wash them off with solvents such as acetone and ethanol, which should later be burned.
- b. If any liquid leaks out of a damaged glass cell and comes in contact with the hands, wash off thoroughly with soap and water.

## **(6) OTHERS**

- a. A strong incident light into LCD panel may cause deterioration to polarizer film, color filter, and other materials, which will degrade the quality of display characteristics. Please do not expose LCD module under strong Ultraviolet rays for a long time.
- b. Please pay attention to a panel side of LCD module not to contact with other materials in preserving it alone.
- c. For the packaging box handling, please see and obey with the packaging specification datasheet.

Our company network supports you worldwide with offices in Germany, Austria, Switzerland, Great Britain and the USA. For more information please contact:

## Headquarters

### Germany



#### FORTEC Elektronik AG

Lechwiesenstr. 9  
86899 Landsberg am Lech

Phone: +49 8191 91172-0  
E-Mail: [sales@forteca.de](mailto:sales@forteca.de)  
Internet: [www.forteca.de](http://www.forteca.de)

## Fortec Group Members

### Austria



#### FORTEC Elektronik AG

##### Office Vienna

Nuschinggasse 12  
1230 Wien

Phone: +43 1 8673492-0  
E-Mail: [office@fortec.at](mailto:office@fortec.at)  
Internet: [www.fortec.at](http://www.fortec.at)

### Germany



#### Distec GmbH

Augsburger Str. 2b  
82110 Germering

Phone: +49 89 894363-0  
E-Mail: [info@distec.de](mailto:info@distec.de)  
Internet: [www.distec.de](http://www.distec.de)

### Switzerland



#### ALTRAC AG

Bahnhofstraße 3  
5436 Würenlos

Phone: +41 44 7446111  
E-Mail: [info@altrac.ch](mailto:info@altrac.ch)  
Internet: [www.altrac.ch](http://www.altrac.ch)

### United Kingdom



#### Display Technology Ltd.

5 The Oaks Business Village  
Revenge Road, Lordswood  
Chatham, Kent, ME5 8LF

Phone: +44 1634 672755  
E-Mail: [info@displaytechnology.co.uk](mailto:info@displaytechnology.co.uk)  
Internet: [www.displaytechnology.co.uk](http://www.displaytechnology.co.uk)

### USA



#### Apollo Display Technologies, Corp.

87 Raynor Avenue,  
Unit 1 Ronkonkoma,  
NY 11779

Phone: +1 631 5804360  
E-Mail: [info@apolloDisplays.com](mailto:info@apolloDisplays.com)  
Internet: [www.apolloDisplays.com](http://www.apolloDisplays.com)