

ESCAP7000



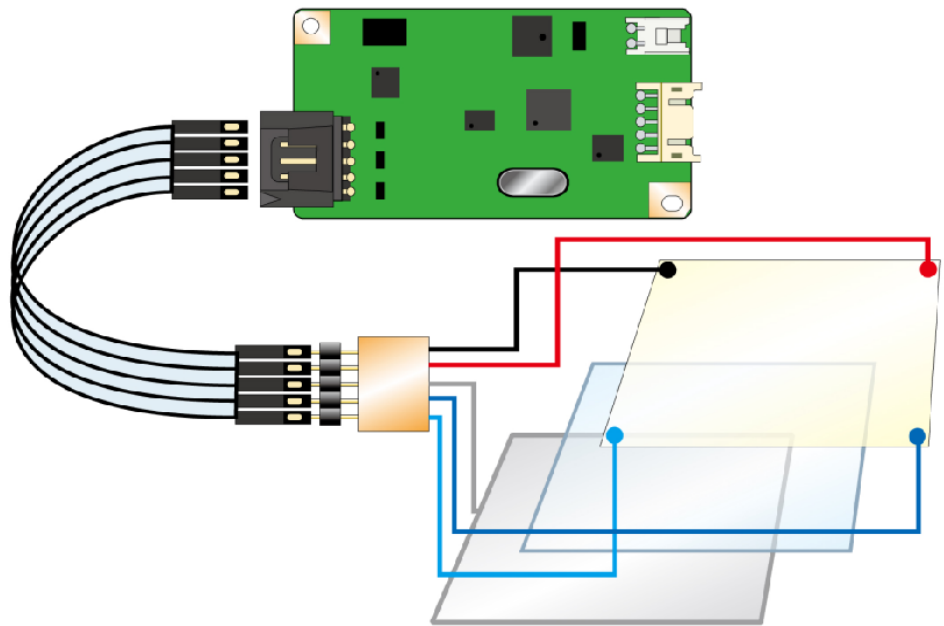
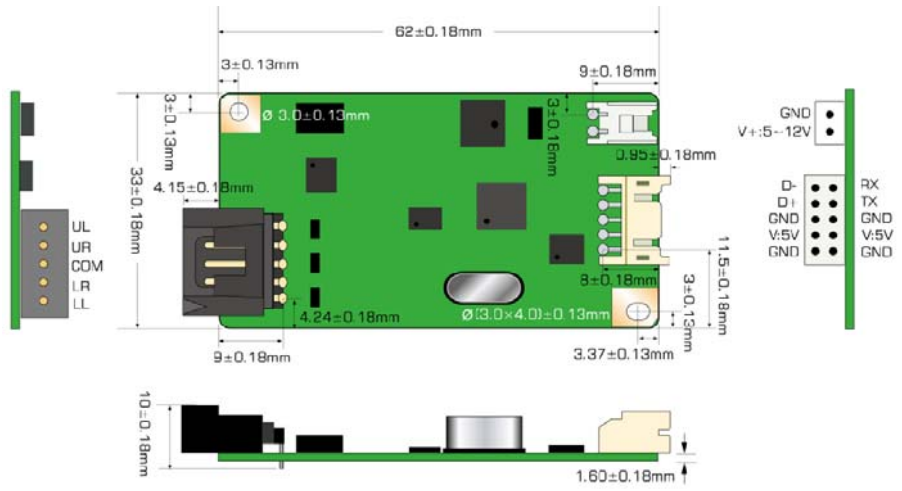
Capacitive Touch Panel Controller

This touch panel controller provides the optimistic performance of your capacitive touch panels. It communicates with PC system directly through RS232 or USB connector. You can see how superior the design is in sensitivity , accuracy and friendly operation. The touch panel driver emulates mouse left and right button function and supports operation systems as following.

OS	Version	Interfaces
Windows	Windows Vista, XP/2000, 9x/ME Windows CE 2.12/3.0/.net/5.0 Windows Embedded Windows XP Tablet PC edition	RS232/USB
Windows	Windows NT4	RS232
Linux	Mandrake (Mandrake 9.1/9.2/10, Mandriva 2005, Mandriva 2006), Red Hat (7.3/8.0/9.0), Fedora (Core I/II/III/IV/V), Yellow Dog (3.X) , SuSE (9.2/9.3/10/10.1), Ubuntu (5.1/6.06), Debian (3.1, Kernel 2.4.x/2.6.x)	RS232/USB (up to Kernel 2.6.x)
DOS	DOS	RS232
Mac	Mac OS, Mac OS X (IBM, intel CPU)	USB
QNX	QNX RTOS v6.3	RS232

ESCAP7000

Controller:



ESCAP7000

Specifications:

Circuit Board Dimension	62mm x 33mm (2.445inches x 1.299inches)
Power Requirements	D.C.+5V, external 5~12V unregulated power (Maximum 65mA, typical 55mA, 50mV peak to peak maximum ripple and noise)
Operating Temperature	-40 to 80 °C
Storage Temperature	-40 to 90 °C
Relative Humidity	95% at 60 °C
Interface	Bi-directional RS-232 serial communication USB: 2.0 compliant
Protocol	RS232:No parity,8 data bits,1 stop bit,9600 baud(N,8,1,9600) USB: Full Speed, USB 2.0 compliant
Resolution	2048×2048
Report rate	Adaptive Sampling Rate. Max. 180 points/sec
Response time	Max. 25 ms
Attached Cable	RS232: 6' shielded cable with 9-pin D-sub connector USB: 6' shielded cable with A type connector for USB Y converter cable
Regulatory Approvals	FCC-B , CE
EMI	Unaffected by environmental EMI
Electro-Static Discharge (ESD)	± 27 KV Air, ± 8 KV

ESCAP7000

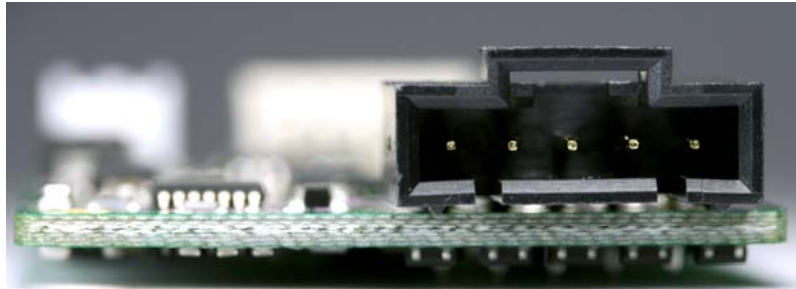
Features:

Alignment	Fast 4 Points Alignment
Linearization	9, 25 Points Linearization
Setting	Support Multi-Controller and Dynamical Add/Remove.
Languages Support	Support 11 languages in Windows.
Mouse Emulation	Right/Left buttons emulation
HID Touch Digitizer	Support Vista HID Touch Digitizer
Sound Feedback	Sound on Touch Sound on Lift No Sound
Double Click	Configurable Speed Configurable Range
Monitor Support	Monitor Rotation Supported Multiple Monitor Supported Split Display Supported
Frequency	Auto Frequency Control

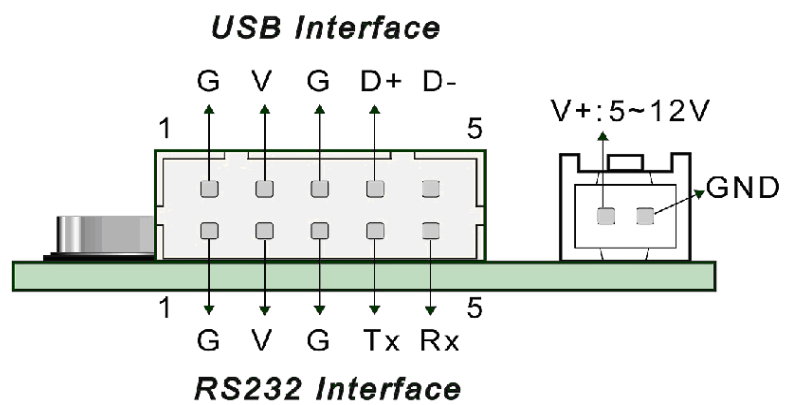
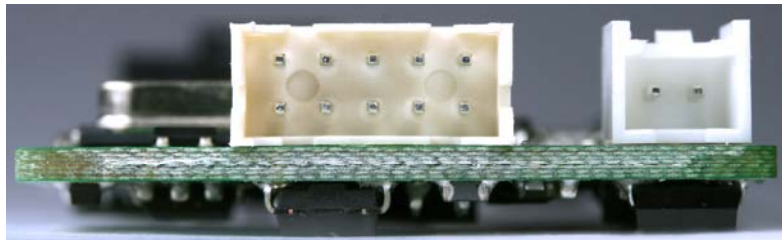
ESCAP7000

Controller Panel Pin Assignment:

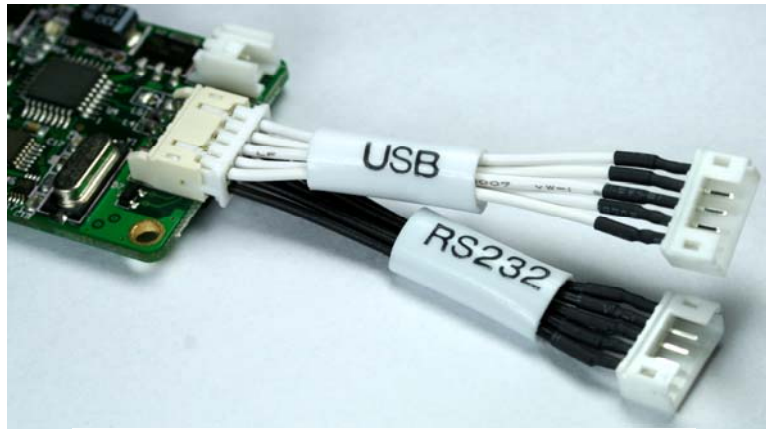
UL	UR	COM	LR	LL
----	----	-----	----	----



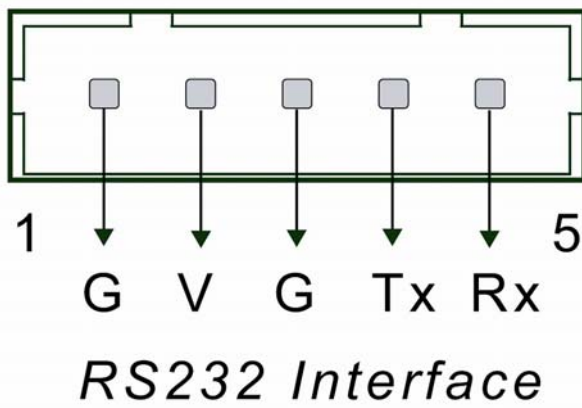
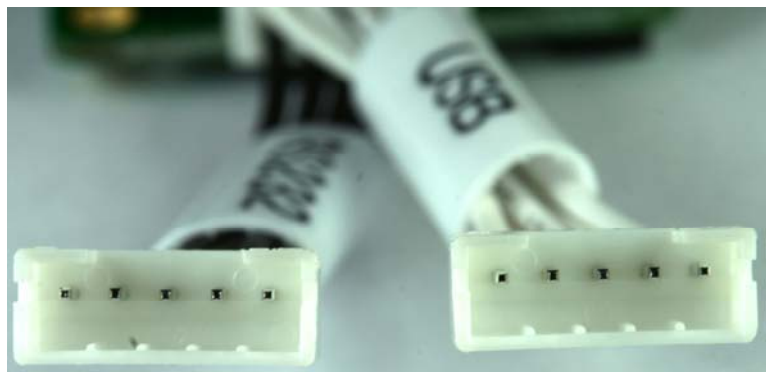
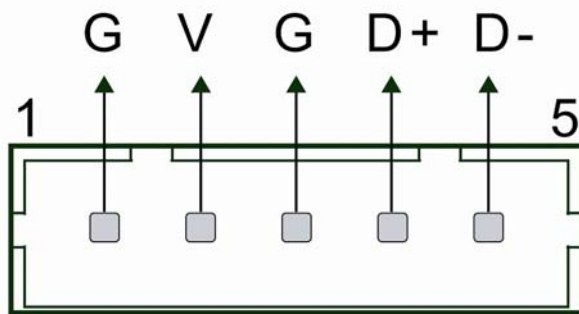
Controller Wafer Pin Assignment:



ESCAP7000



USB Interface



RS232 Interface