



RGB/Video converter board at a favourable price



# PRISMAeco II **Economic in every respect RGB+DVI**

Perfect for basic monitor applications



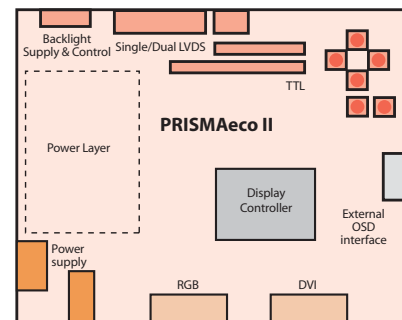
PRISMAeco II is a next generation development of the competitive and space saving RGB/video converter board PRISMAeco and is equipped with an additional DVI input and improved auto-adjust functionality. It is the perfect choice for basic monitor applications and allows to connect TFT display to the standard graphics interfaces RGB analogue and DVI. PRISMAeco II supports TFT-Displays with TTL and LVDS output and its scaler chip produces images of highest quality.

- ✓ **Competitive and space saving**
- ✓ **RGB analogue and DVI input interfaces**
- ✓ **TTL and LVDS output interfaces**
- ✓ **Improved auto-adjust functionality**

## Technical Data

<b>Interfaces (input)</b>	RGB analog (CRT) DVI
<b>Interfaces (output)</b>	TTL and single/dual LVDS 18/24 Bit (conventional/ non-conventional)
<b>Resolution (min/max)</b>	VGA (640 x 480) up to SXGA (1280 x 1024)
<b>Scaler Chip</b>	Genesis GM5621
<b>Power supply</b>	12V, optional up to 24 V
<b>Versions</b>	RGB, RGB/DVI Output versions being defined by firmware.
<b>Compatibility</b>	Mechanical dimensions, mounting holes and placement of plugs are compatible to those of the predecessor model

## PCB Layout



- Conversion** PRISMA controller boards enable TFT displays to be connected to standard graphics interfaces. Input signals like analog RGB or DVI are converted by PRISMA into TFT compliant TTL or LVDS signals.
- Scaling** If necessary, the scaler chip of the PRISMA is scaling the input signal up or down to the appropriate TFT resolution and thus is adapting the image size.
- OSM** Besides scaling, the scaler chip provides an On-Screen-Menu (OSM) with numerous possibilities of individual settings like brightness and auto-detect/auto-adjust.
- Auto-detect** The auto-detect/auto-config function is automatically detecting analog RGB input signals and provides for an optimal appearance of images on the screen.
- Color depth** PRISMA converter boards support flat panels with 24-bit and 18-bit color depth.
- OSD board** Four pushbuttons are integrated on the board to set the display menu. An external OSD board is also available: A backwards compatible four-button board.

For our in-house developments we offer:

- ✓ **Longterm availability**
- ✓ **Product stability**
- ✓ **Compatibility of successor products in form, function and integration**
- ✓ **Technical support**

PRISMA converter boards are only available in combination with a TFT display, since they must be adapted and configured to the appropriate display. This applies for the jumper settings and that of the Firmware.

Distec GmbH  
Augsburger Str. 2  
D-82110 Germering  
GERMANY

Phone +49 (0)89/ 89 43 63 - 0  
Fax +49 (0)89/ 89 43 63 - 131  
E-Mail: info@distec.de  
Internet: www.distec.de

[www.distec.de](http://www.distec.de)